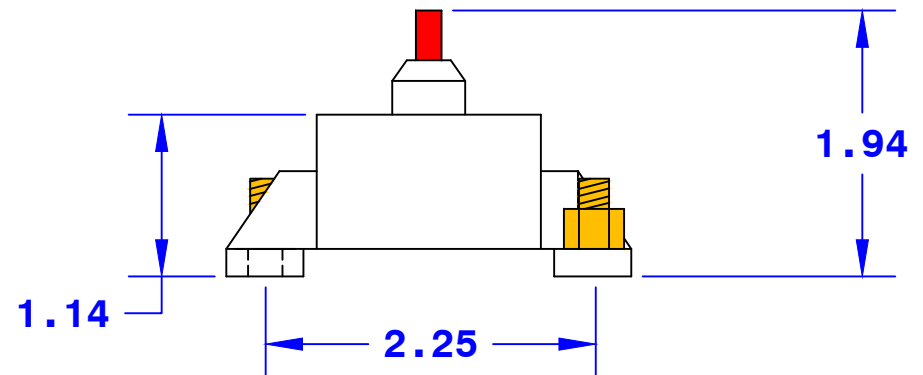
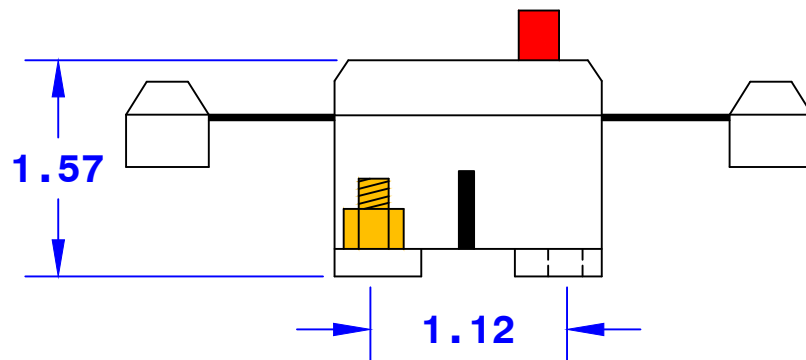


Applications:
Typically used in auxilliary and accessory circuits - trucks, busses, RV's, and marine applications. Others might include battery chargers and DC audio systems.



NOTE: UL approved for 200A, 32VDC
Interrupt rating of 1500A @ 30VDC
Tested to SAE J1625, SAE J1171
Waterproof, manual reset design
Operating Temperature is -32°C to 92°C
Housing is thermoset plastic, UL rated 94V0
RoHS compliant

Property of QUICK CABLE 3700 Quick Drive Franksville, WI 53126 U.S.A. www.quickcable.com	TITLE Circuit Breaker, 200 Amp
	PART # 509419

Confidential and Proprietary Information

Rev	Date	ECN#	By	Description	Drawn By RIK	Date 07-18-23	Checked By MAC	Scale None	Material & Treatment	Drawing # 509419-Info	REV
					Tolerances, unless otherwise noted				Sheet 1 of 1		
					Dimensions are reference only						