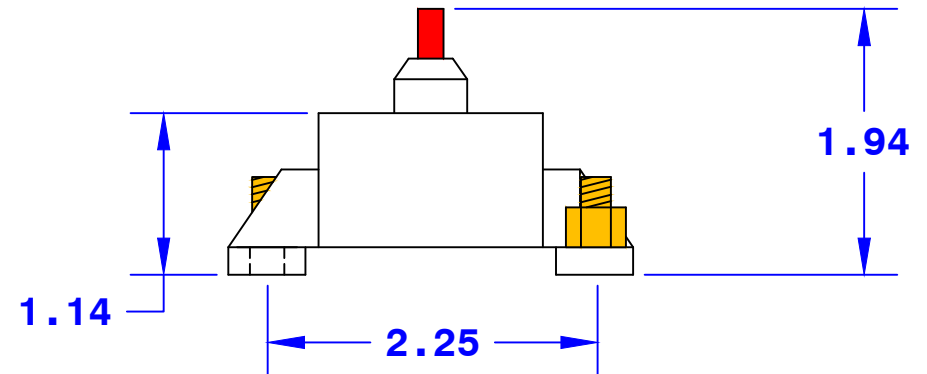
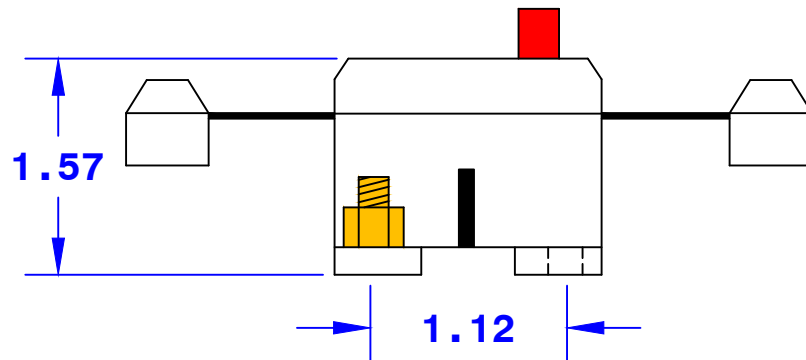


Applications:
Typically used in auxilliary and accessory circuits - trucks, busses, RV's, and marine applications. Others might include battery chargers and DC audio systems.



NOTE: UL approved for 100A, 32VDC
Interrupt rating of 3000A @ 30VDC
Tested to SAE J1625, SAE J1171
Waterproof, manual reset design
Operating Temperature is -32°C to 92°C
Housing is thermoset plastic, UL rated 94V0
RoHS compliant

Property of QUICK CABLE 3700 Quick Drive Franksville, WI 53126 U.S.A. www.quickcable.com	TITLE
	Circuit Breaker, 100 Amp
	PART #
	509417

Confidential and Proprietary Information

Rev	Date	ECN#	By	Description	Drawn By	Date	Checked By	Scale
					RIK	07-18-23	MAC	None
					Tolerances, unless otherwise noted			
					Dimensions are reference only			

Material & Treatment	Drawing #	REV
	509417-Info	
	Sheet 1	Of 1