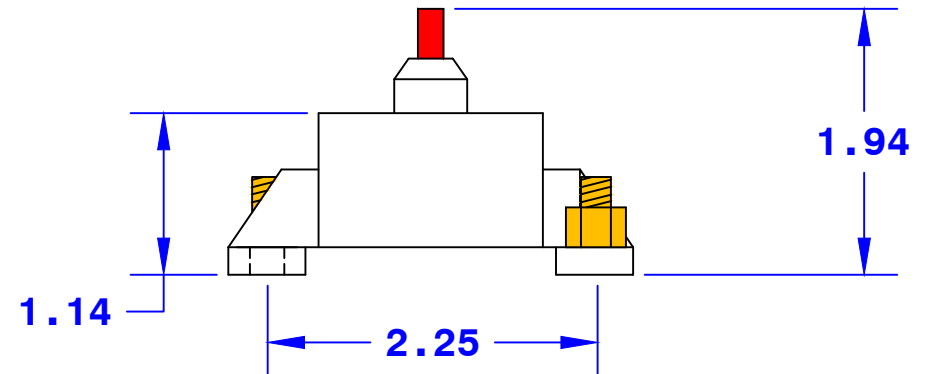
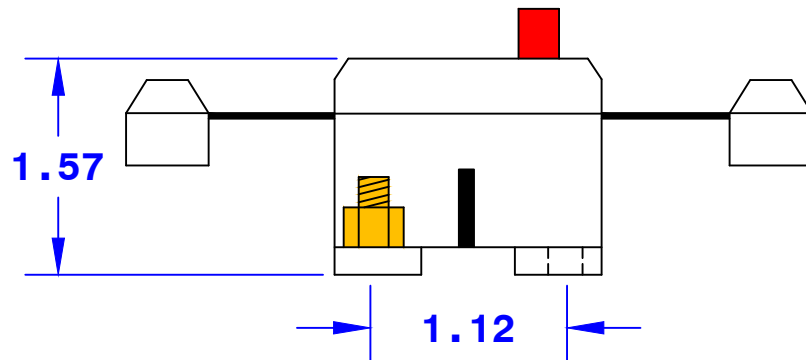


**Applications:**  
Typically used in auxilliary and accessory circuits - trucks, busses, RV's, and marine applications. Others might include battery chargers and DC audio systems.



**NOTE:** UL approved for 50A, 32VDC  
Interrupt rating of 3000A @ 30VDC  
Tested to SAE J1625, SAE J1171  
Waterproof, manual reset design  
Operating Temperature is -32°C to 92°C  
Housing is thermoset plastic, UL rated 94V0  
RoHS compliant

Property of <b>QUICK CABLE</b> 3700 Quick Drive Franksville, WI 53126 U.S.A. www.quickcable.com	TITLE <b>Circuit Breaker, 50 Amp</b>
	PART # <b>509416</b>

**Confidential and Proprietary Information**

Rev	Date	ECN#	By	Description	Drawn By <b>RIK</b>	Date <b>07-18-23</b>	Checked By <b>MAC</b>	Scale <b>None</b>
					Tolerances, unless otherwise noted			
					<b>Dimensions are reference only</b>			

Material & Treatment	Drawing # <b>509416-Info</b>	REV
	Sheet <b>1</b> of <b>1</b>	