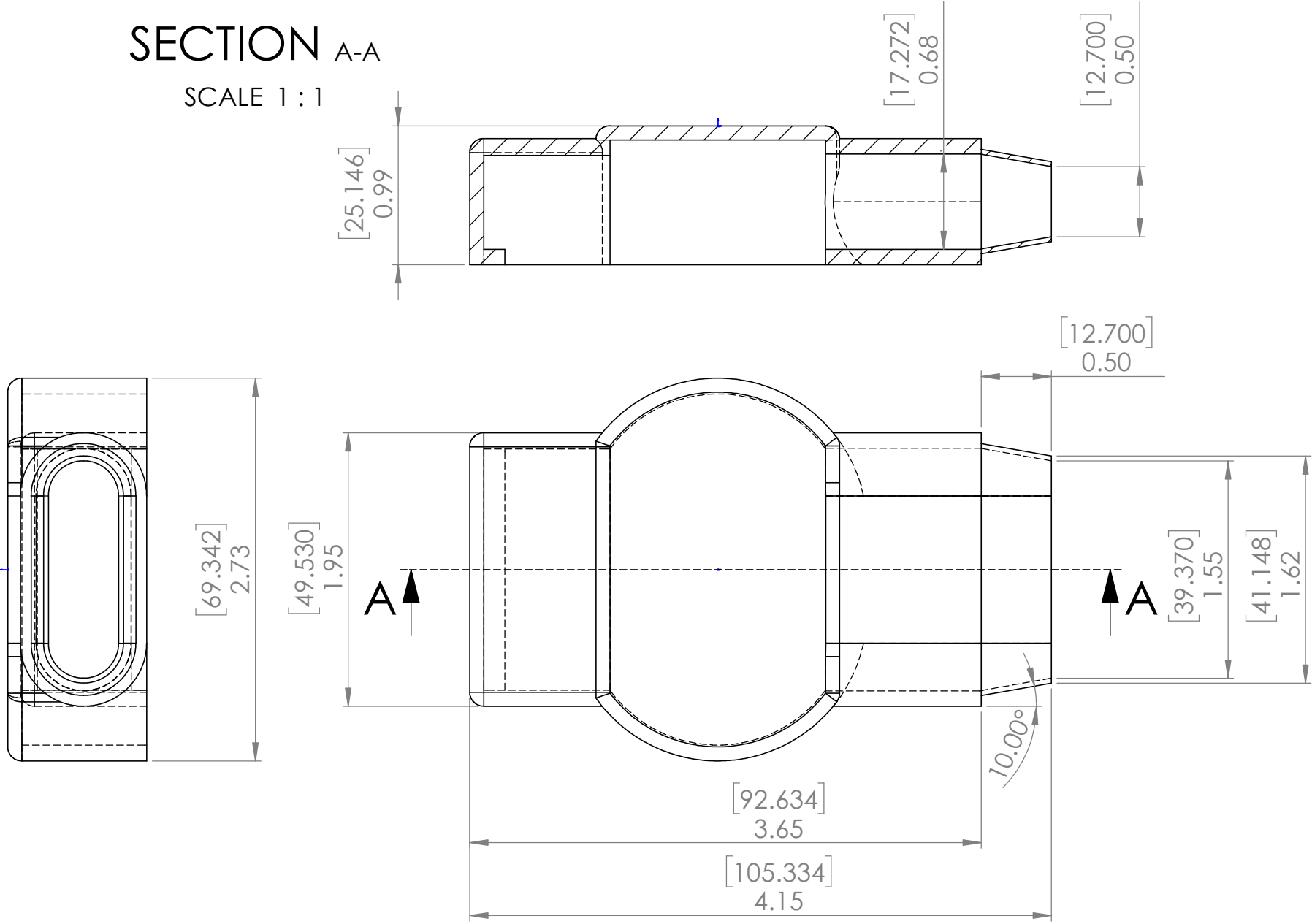


# SECTION A-A

SCALE 1 : 1



<b>TOLERANCE: UNLESS SPECIFIED:</b> .XXX = +/- .005 .XX = +/- .010 Angles = +/- .5 DEGREE  ELECTRONIC DRAWING DO NOT SCALE	<b>MATERIAL AND TREATMENT</b> PVC 9812-65-RED683	<b>FRANKSVILLE, WI 53126 U.S.A.</b> <small>The information contained in this drawing is the sole property of QuickCable. Any reproduction in part or whole without the written permission of QuickCable, Inc is prohibited.</small>	
	PO# _____ QUOTE# _____	DRAWN BY: BPH DATE: 4-6-22 CHECKED: JJ	TITLE: <b>BATT TERM INSULATOR</b> DWG: <b>5707</b>