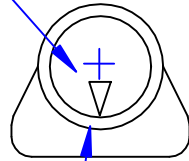
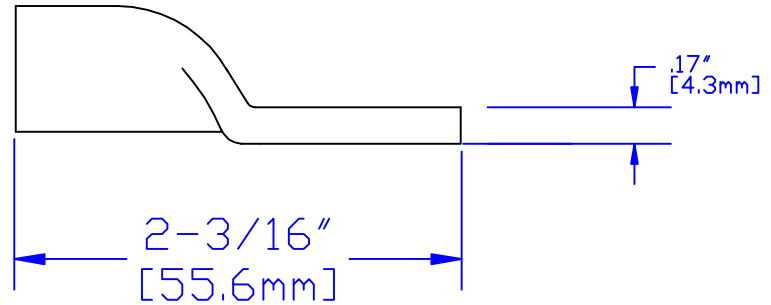


ID sized for $\frac{3}{8}$ [6.2mm] stranded cable
 3/4" [19.1mm] Min depth



.65" ϕ
 [16.5mm]

Dia may vary due to manufacturing process.



Property of QUICK CABLE 3700 Quick Dr. Franksville, WI 53126		TITLE 2/0 [62mm²] W/ Sight Hole	
		PART # 8820E	
Confidential and Proprietary Information			
Material & Treatment Copper alloy Tin plated		Drawing # 8820E-Info	REV
		Sheet 1 of 2	

					Drawn By Jim H	Date 10-26-05	Checked By Mike E	Scale None
					Tolerances, unless otherwise noted Dimensions are Reference only			
Rev	Date	ECN#	By	Description				