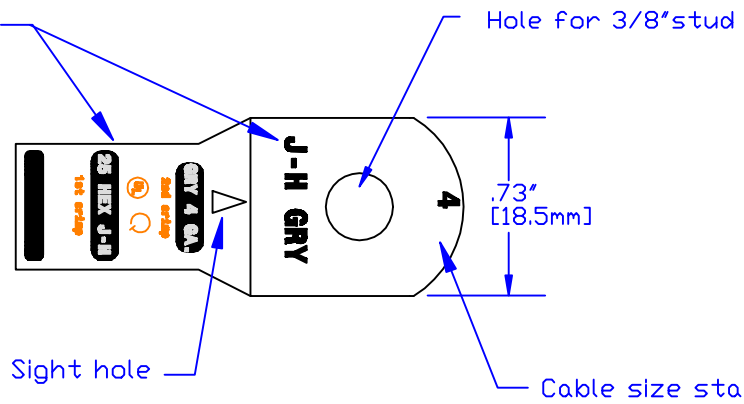
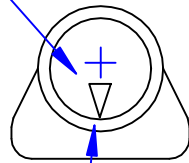


Crimp Information

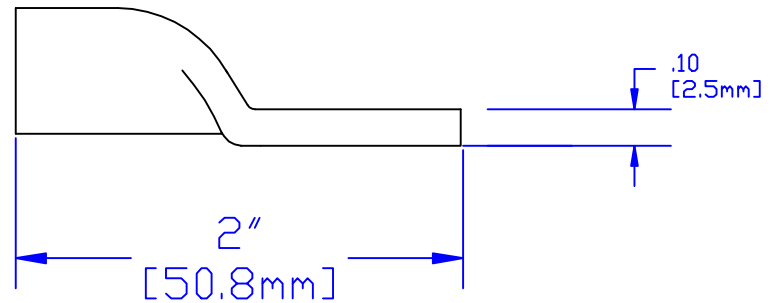


ID sized for 4 Ga. [19mm²]
stranded cable
5/8" [15.9mm] Min depth



.40Ø
[10.6mm]

Dia may vary due to
manufacturing process.



Property of QUICK CABLE 3700 Quick Dr. Franksville, WI 53126		TITLE 4 Ga. [19mm²] W/ Sight Hole	
		PART # 8804F	
Confidential and Proprietary Information			
Material & Treatment Copper alloy Tin plated		Drawing # 8804F-Info	
		REV Sheet 1 of 2	

					Drawn By Jim H	Date 10-11-05	Checked By Mike E	Scale None
					Tolerances, unless otherwise noted Dimensions are Reference only			
Rev	Date	ECN#	By	Description				