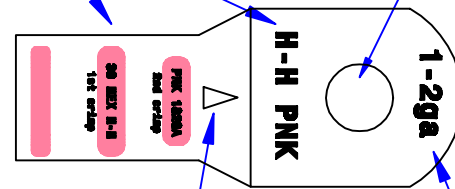


Crimp Information

Hole for 1/4"[M6] stud

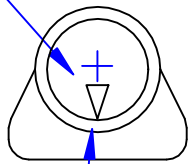


.80"  
[20.3mm]

Sight hole

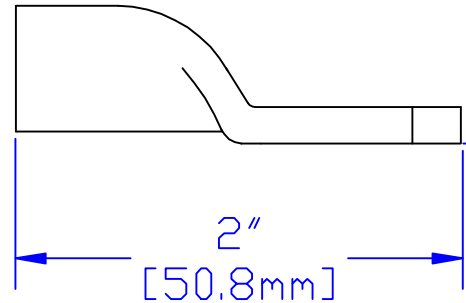
Cable size stamp

**ID sized for 1 & 2 Ga.  
[40-32mm<sup>2</sup>]stranded cable  
5/8 [15.9mm] Min depth**



.55"Ø  
[14mm]

Dia may vary due to manufacturing process.



.17"  
[4.3mm]

<b>Property of</b> <b>QUICK CABLE</b> 3700 Quick Dr. Franksville, WI 53126	<b>TITLE</b> <b>1 &amp; 2 [40-32mm<sup>2</sup>]</b> <b>W/ Sight Hole</b>
	<b>PART #</b> <b>8801D</b>
<b>Confidential and Proprietary Information</b>	
<b>Material &amp; Treatment</b> <b>Copper alloy</b> <b>Tin plated</b>	<b>Drawing #</b> <b>8801D-Info</b>
<b>Sheet 1 of 2</b>	

					<b>Drawn By</b> <b>Jim H</b>	<b>Date</b> <b>10-26-05</b>	<b>Checked By</b> <b>ME</b>	<b>Scale</b> <b>None</b>
					<b>Tolerances, unless otherwise noted</b> <b>Dimensions are Reference only</b>			
<b>Rev</b>	<b>Date</b>	<b>ECN#</b>	<b>By</b>	<b>Description</b>				