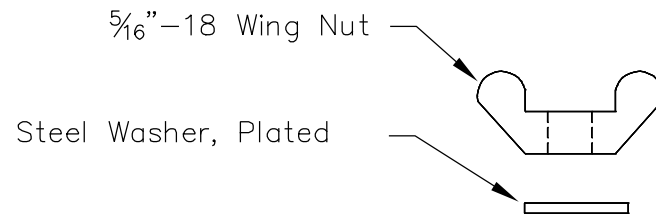
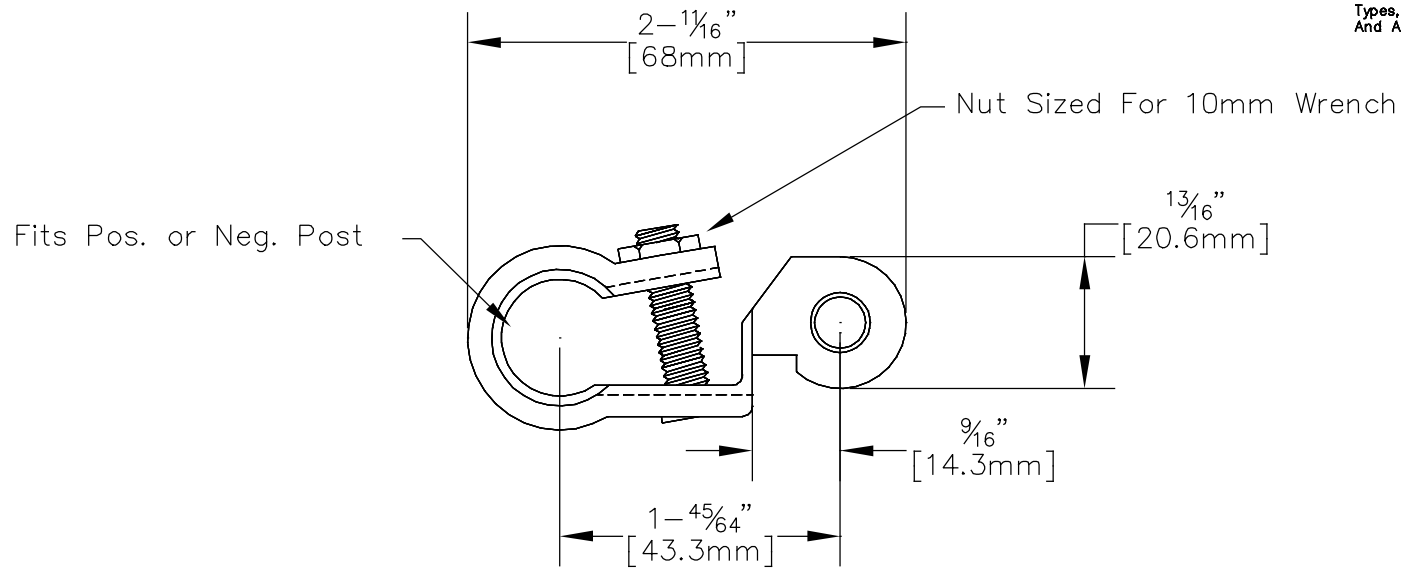
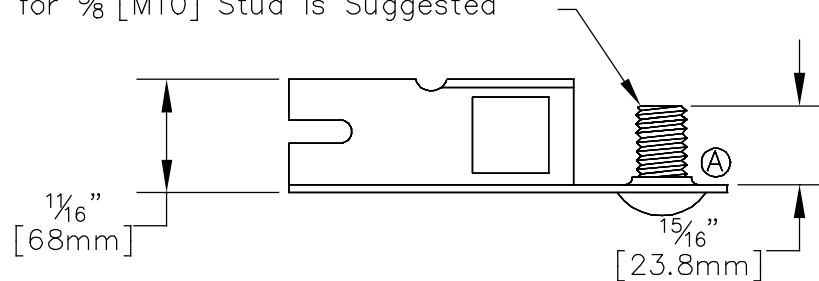


Quick Cable Reserves The Right to Alter Product Types, Their Technical Data, Dimensions, Style And Accessories without Prior Notification.



5/16"–18 Stud  
Use of Lug Sized for 3/8" [M10] Stud is Suggested

Ⓐ



Property of <b>QUICK CABLE</b> 3700 Quick Drive Franksville, WI 53126 U.S.A. www.quickcable.com	TITLE Battery Connector, Lead Free, Universal
	PART # 850105

Confidential and Proprietary Information

Material & Treatment Copper, Tin Plated	Drawing # 850105-Info	REV A
	Sheet 1 of 1	

Rev	Date	ECN#	By	Description
A	12-30-14	3154	MRE	Was "Sized for 5/16" [M8] Lug". View of stud hole was flat now extruded.

Drawn By Jim H	Date 11-15-10	Checked By Mike E	Scale None
Tolerances, unless otherwise noted Dimensions are reference only			