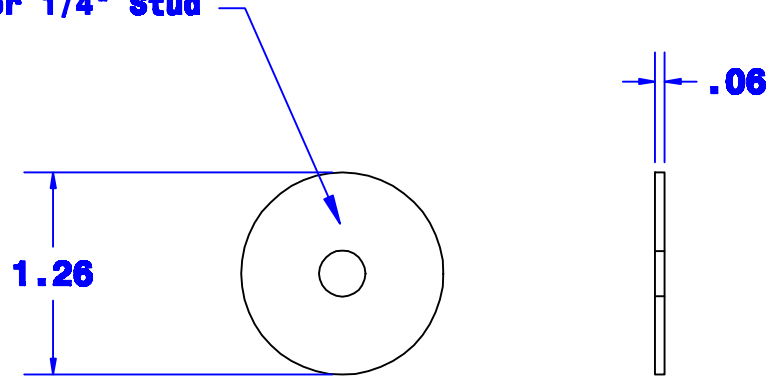


Sized for 1/4" Stud



Property of QUICK CABLE 3700 Quick Dr. Frankville WJ	TITLE	
	Washer, Fender, 1/4"	
Material & Treatment Zinc Plated Steel	PART #	
	6753	
	Drawing #	
		REV
		6753-Info
		Sheet 1 of 1

Drawn By	Date	Checked By	Scale
Jim H	7-29-05	Mike E	None
Tolerances, unless otherwise noted			
Dimensions are reference only			
Rev	Date	ECN#	By
			Description