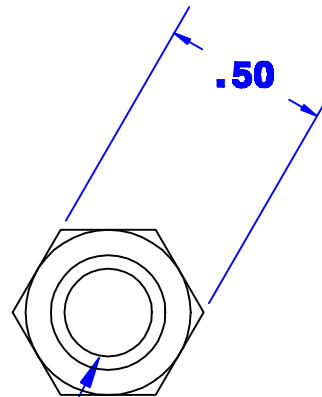
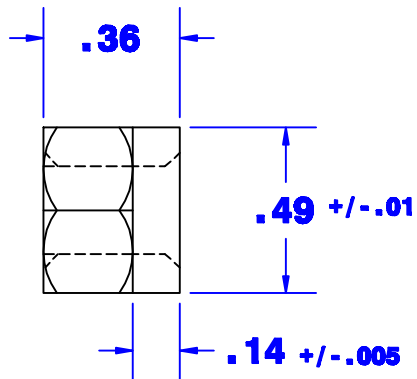


1-1/8" Minimum Thread



5/16-18 UNC-2B Thread

Property of QUICK CABLE 3700 Quick Drive Franksville, WI 53126 U.S.A. www.quickcable.com	TITLE Bolt, Square Head & Shoulder Nut, 5/16-18 X 1-1/2
	PART # 6712

Confidential and Proprietary Information

					Drawn By Kirk A	Date 01-15-08	Checked By Mike E	Scale None
					Tolerances, unless otherwise noted Dimensions are reference only			
Rev	Date	ECN#	By	Description				

Material & Treatment Steel, Grade 2 Zinc Plated	Drawing # 6712NB-Info	REV
	Sheet 1 of 1	