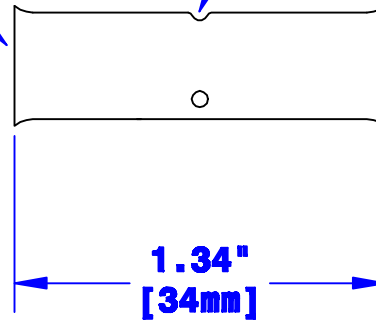


**ID Sized For  
2 Ga [32mm<sup>2</sup>] Cable**

**Dimple For Center Stop  
3 Places**



<b>Property of</b> <b>QUICKCABLE®</b> 3700 Quick Drive Franksville, WI 53126 U.S.A. www.quickcable.com	<b>TITLE</b> <b>2 Ga [32mm<sup>2</sup>]</b> <b>Max Lug Butt Splice</b>
	<b>PART #</b> <b>6652</b>

**Confidential and Proprietary Information**

					<b>Drawn By</b> <b>Jim H</b>	<b>Date</b> <b>12-02-09</b>	<b>Checked By</b> <b>Mike E</b>	<b>Scale</b> <b>None</b>
					<b>Tolerances, unless otherwise noted</b> <b>All dimensions are ref only</b>			
<b>Rev</b>	<b>Date</b>	<b>ECN#</b>	<b>By</b>	<b>Description</b>				

<b>Material &amp; Treatment</b> <b>100% Copper</b> <b>Tin plated</b>	<b>Drawing #</b> <b>6652-INFO</b>	<b>REV</b>
<b>Sheet 1 of 1</b>		