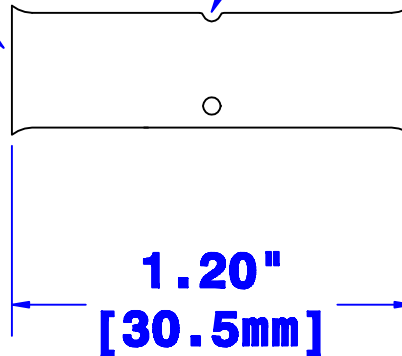


**ID sized for
4 ga [19mm²] cable**

**Dimple for center stop
3 places**



Property of <i>QUICK CABLE</i> 3700 Quick Dr. Franksville WI		TITLE 4 ga [19mm ²] Max Lug butt splice	
		PART # 6651	
Material & Treatment 100% Copper Tin plated		Drawing # 6651-INFO	REV
		Sheet 1 or 1	

			Drawn By Jim H	Date 10/09/03	Checked By Paul	Scale None
Tolerances, unless otherwise noted All dimensions are ref only						
Rev	Date	By	Description			