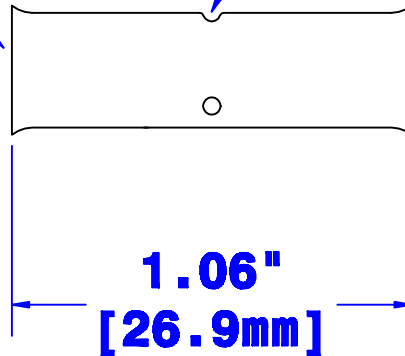


**ID sized for  
6 ga [13mm<sup>2</sup>] cable**

**Dimple for center stop  
3 places**



<b>Property of</b> <b><i>QUICK CABLE</i></b> 3700 Quick Dr. Frankville WI		<b>TITLE</b> 6 ga [13mm <sup>2</sup> ] Max Lug butt splice	
		<b>PART #</b> 6650	
<b>Material &amp; Treatment</b> 100% Copper Tin plated		<b>Drawing #</b> 6650-INFO	<b>REV</b>
		sheet <b>1</b> or <b>1</b>	

			<b>Drawn By</b> Jim H	<b>Date</b> 10/20/03	<b>Checked By</b> Mike E.	<b>Scale</b> None
<b>Tolerances, unless otherwise noted</b> <b>All dimensions are ref only</b>						
<b>Rev</b>	<b>Date</b>	<b>By</b>	<b>Description</b>			