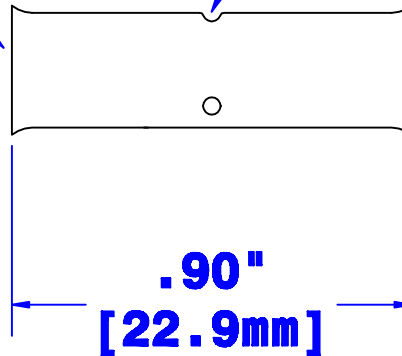


**ID sized for  
8 ga [8mm<sup>2</sup>] cable**

**Dimple for center stop  
3 places**



<b>Property of</b> <b><i>QUICK CABLE</i></b> 3700 Quick Dr. Franksville WI		<b>TITLE</b> 8 ga [8mm <sup>2</sup> ] <b>Max Lug butt splice</b>	
		<b>PART #</b> <b>6649</b>	
<b>Material &amp; Treatment</b> <b>100% Copper</b> <b>Tin plated</b>		<b>Drawing #</b> <b>6649-INFO</b>	<b>REV</b>
		<b>Sheet</b> <b>1</b> <b>or</b> <b>1</b>	

			<b>Drawn By</b> <b>Jim H</b>	<b>Date</b> <b>10/20/03</b>	<b>Checked By</b> <b>Mike E.</b>	<b>Scale</b> <b>None</b>
<b>Tolerances, unless otherwise noted</b> <b>All dimensions are ref only</b>						
<b>Rev</b>	<b>Date</b>	<b>By</b>	<b>Description</b>			