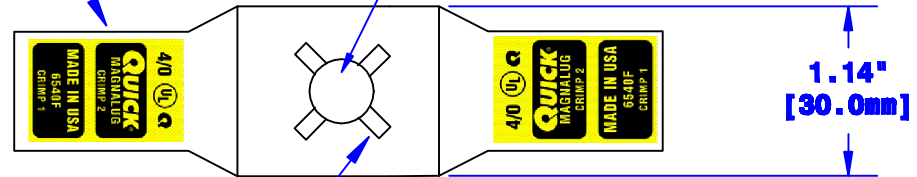


Quick Cable Reserves The Right to Alter Product Types, Their Technical Data, Dimensions, Style And Accessories Without Prior Notification.

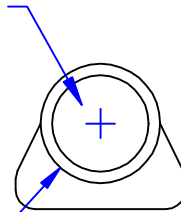
Crimp Information Both Ends

Hole For 3/8" [M10] Stud

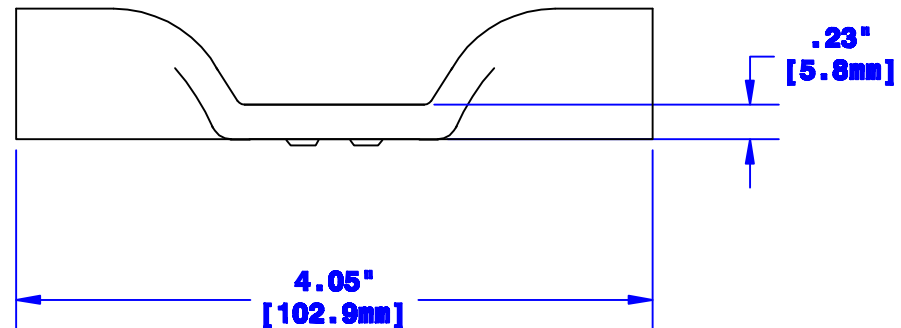


Anti-rotation Feature Stamped Here

ID Sized For 4/0 [103mm<sup>2</sup>] Stranded Cable  
3/4" [19.1mm] Min Depth



Dia May Vary Due to Manufacturing Process



<b>Property of</b> <b>QUICKCABLE®</b> 3700 Quick Drive Franksville, WI 53126 U.S.A. www.quickcable.com	<b>TITLE</b> <b>4/0 [103mm<sup>2</sup>]</b> <b>Magna Lug,</b> <b>Dual Cable</b>
	<b>PART #</b> <b>6540F</b>

**Confidential and Proprietary Information**

					Drawn By <b>Paul</b>	Date <b>03-12-03</b>	Checked By <b>Mike E</b>	Scale <b>None</b>	<b>Material &amp; Treatment</b> <b>Copper Tube</b> <b>Tin Plated</b>	<b>Drawing #</b> <b>6540F-INFO</b>	<b>REV</b> <b>B</b>
<b>B</b>	<b>01-30-12</b>	<b>2450</b>	<b>JMM</b>	<b>Redrawn; printing info updated</b>	<b>Tolerances, unless otherwise noted</b> <b>Dimensions are reference only</b>					Sheet <b>1</b> of <b>1</b>	
<b>Rev</b>	<b>Date</b>	<b>ECN#</b>	<b>By</b>	<b>Description</b>							