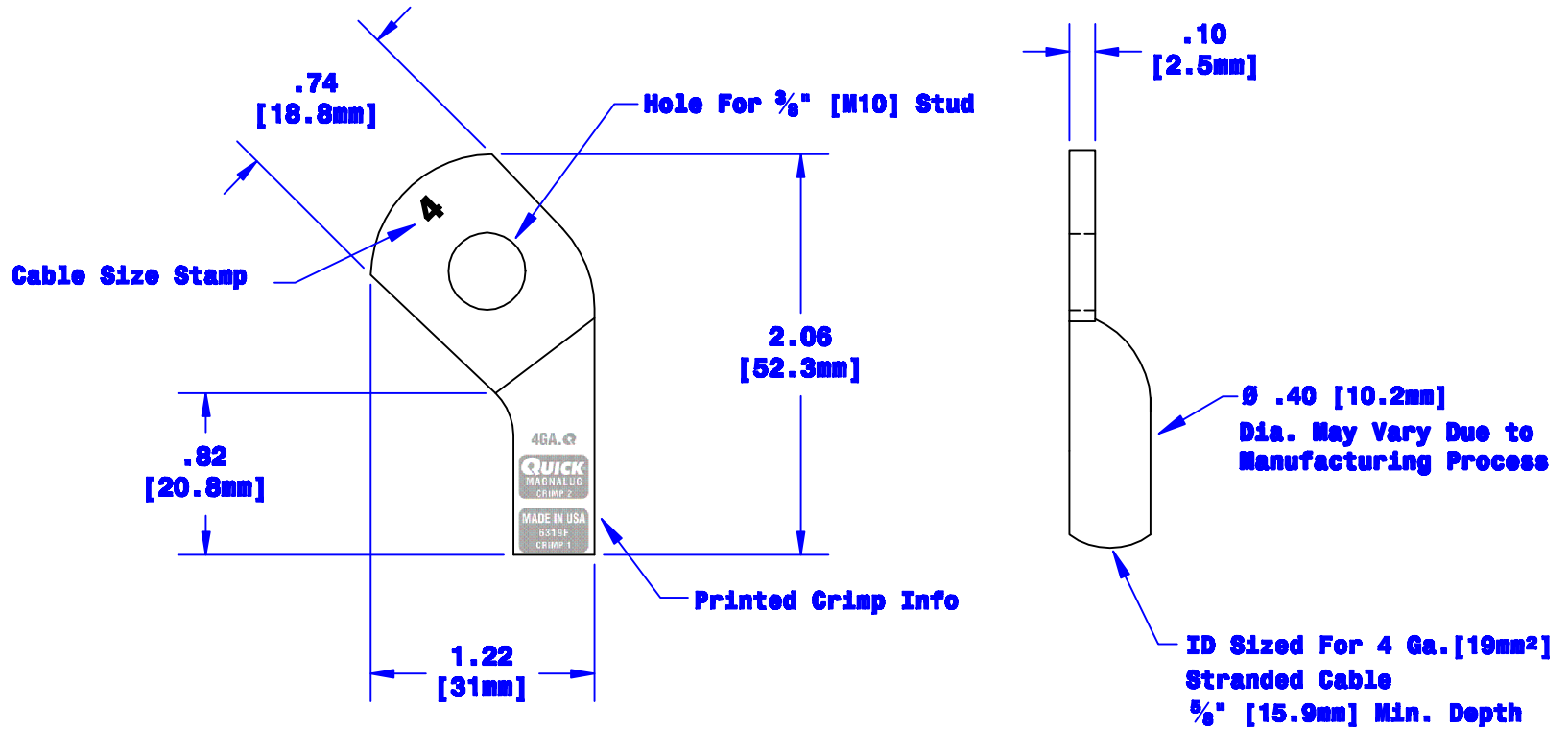


Quick Cable Reserves The Right to Alter Product Type, Their Technical Data, Dimensions, Style And Accessories Without Prior Notification.



Property of QUICKCABLE® 3700 Quick Drive Franksville, WI 53126 U.S.A. www.quickcable.com	TITLE
	4 Ga. [19mm²] Left Elbow
	PART #
	6319F

Confidential and Proprietary Information

					Drawn By	Date	Checked By	Scale	Material & Treatment	Drawing #	REV
					Jim H	04-17-07	Mike E	None			
B	02-21-12	2450	JMH	Redrawn; printing info updated	Tolerances, unless otherwise noted						
Rev	Date	ECN#	By	Description	Dimensions are reference only					Sheet 1	of 1