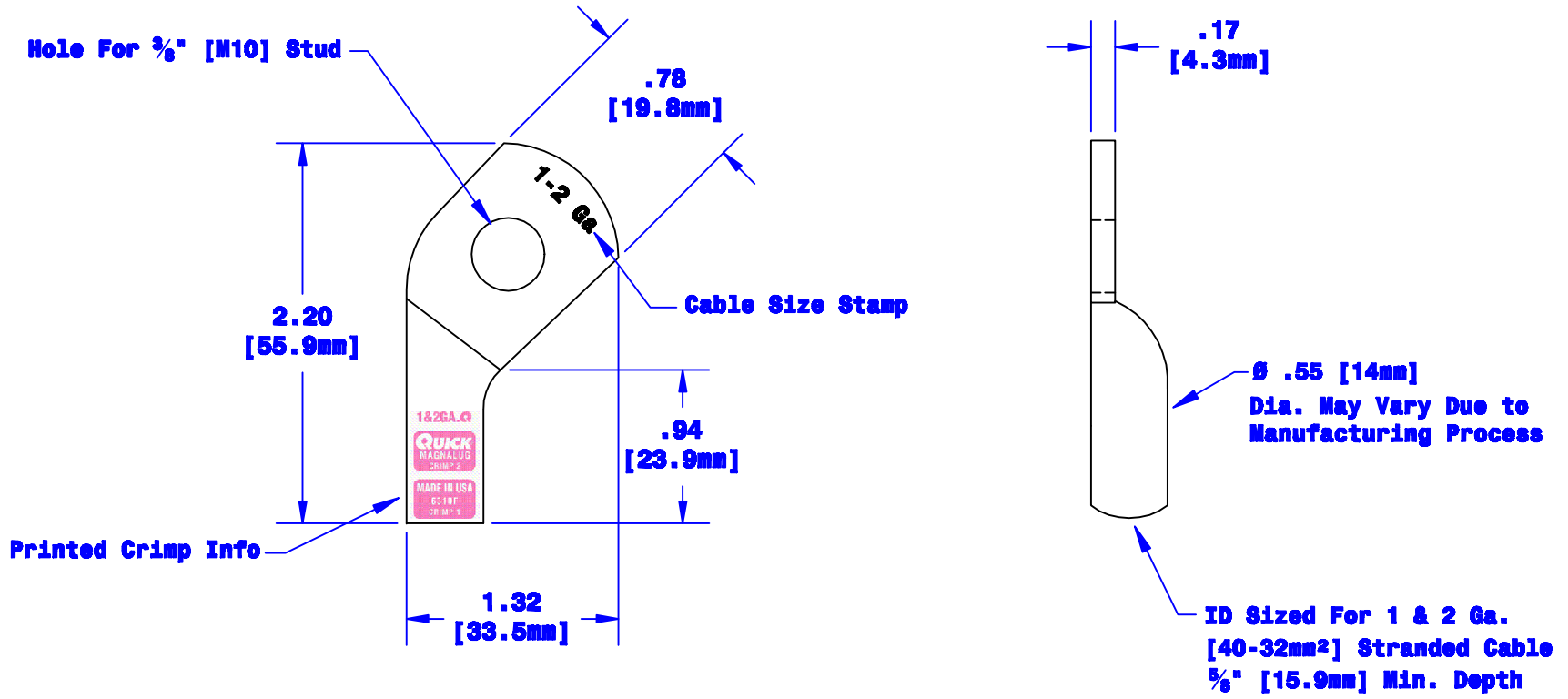


Quick Cable Reserves The Right to Alter Product Types, Their Technical Data, Dimensions, Style And Accessories Without Prior Notification.



Property of QUICKCABLE 3700 Quick Drive Franksville, WI 53126 U.S.A. www.quickcable.com	TITLE 1 & 2 Ga. [40-32mm²] Right Elbow
	PART # 6310F

Confidential and Proprietary Information

				Drawn By Jim H	Date 04-17-07	Checked By Mike E	Scale None	Material & Treatment Copper Tube Tin Plated	Drawing # 6310F-Info	REV B
B	02-21-12	2450	JMH	Redrawn; printing info updated						
Rev	Date	ECN#	By	Description					Sheet 1 of 1	

Tolerances, unless otherwise noted
Dimensions are reference only