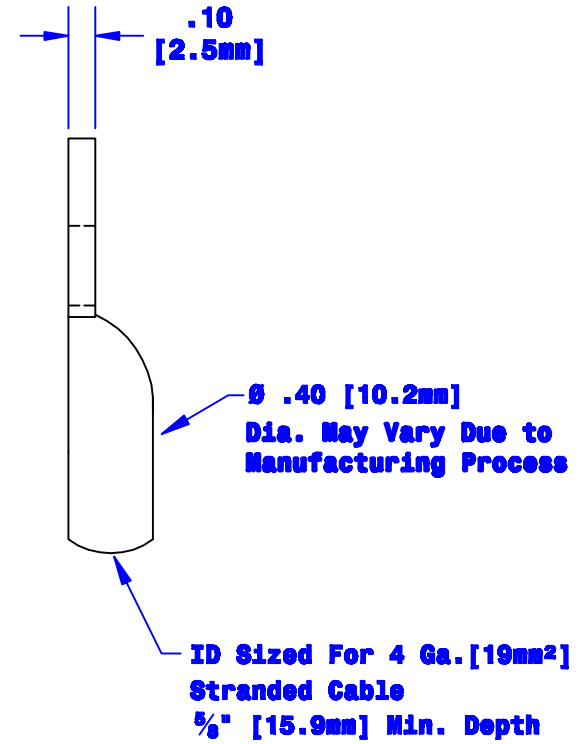
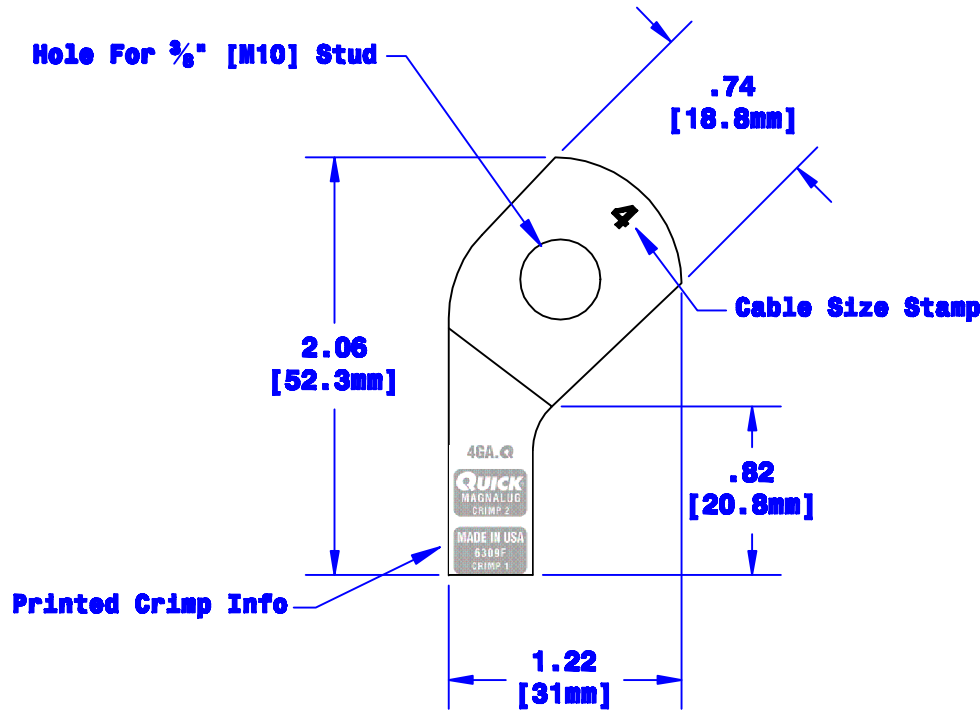


Quick Cable Reserves The Right to Alter Product Type, Their Technical Data, Dimensions, Style And Accessories Without Prior Notification.



Property of <b>QUICKCABLE®</b> 3700 Quick Drive Franksville, WI 53126 U.S.A. www.quickcable.com	TITLE
	<b>4 Ga. [19mm²] Right Elbow</b>
	PART #
	<b>6309F</b>

**Confidential and Proprietary Information**

				Drawn By	Date	Checked By	Scale
				<b>Jim H</b>	<b>04-17-07</b>	<b>Mike E</b>	<b>None</b>
<b>B</b>	<b>02-21-12</b>	<b>2450</b>	<b>JMH</b>	<b>Redrawn; printing info updated</b>			
Rev	Date	ECN#	By	Description			

Tolerances, unless otherwise noted  
 Dimensions are reference only

Material & Treatment	Drawing #	REV
<b>Copper Tube Tin Plated</b>	<b>6309F-Info</b>	<b>B</b>
	Sheet 1 of 1	