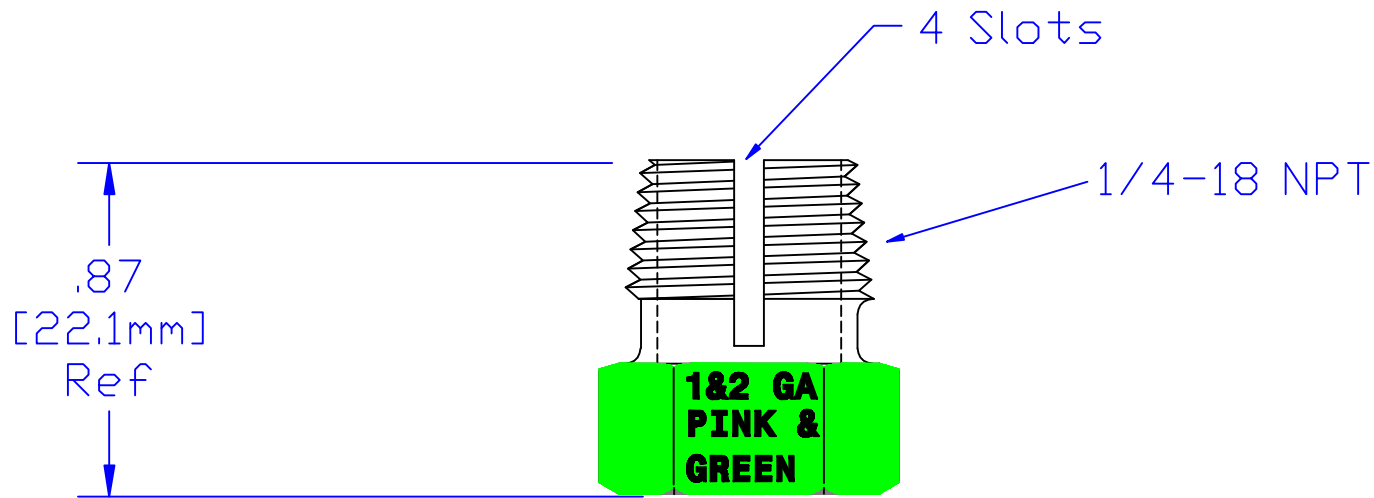


9/16"  
Hex stock

**Hole sized for 1 & 2 Ga. cable  
[40-32mm<sup>2</sup>]**



.87  
[22.1mm]  
Ref

**1&2 GA  
PINK &  
GREEN**

Property of <b>QUICK CABLE</b>		TITLE <b>Compression Nut 1 &amp; 2 Ga [40-32mm<sup>2</sup>]</b>	
3700 Quick Dr. Franksville WI		PART # <b>6102</b>	
Material & Treatment <b>360 Brass Tin plated</b>		Drawing # <b>6102-INFO</b>	REV
Tolerances, unless otherwise noted		Sheet <b>1</b>	of <b>1</b>

Rev	Date	ECN#	By	Description

Drawn By <b>Jim H</b>	Date <b>11-25-03</b>	Checked By <b>Mike E</b>	Scale <b>None</b>
Tolerances, unless otherwise noted			