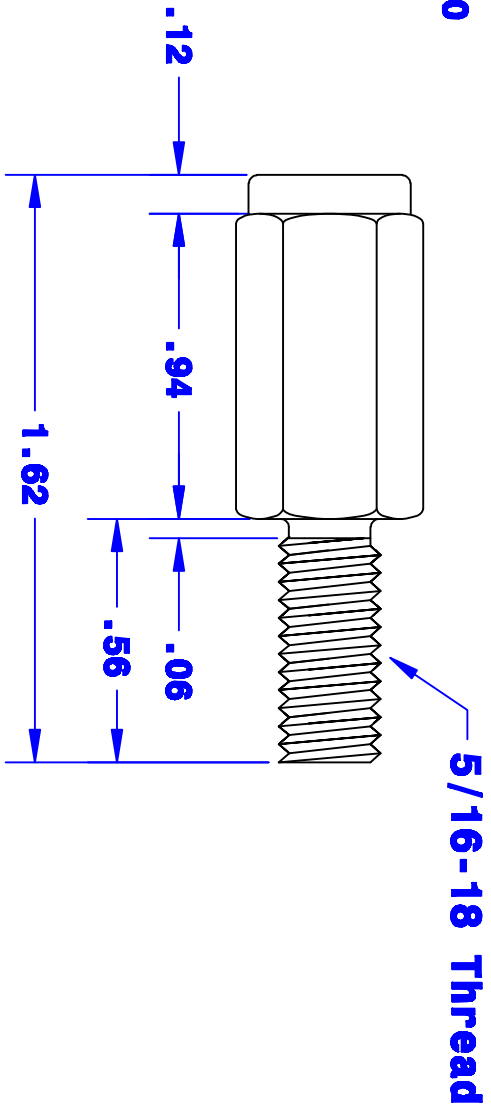
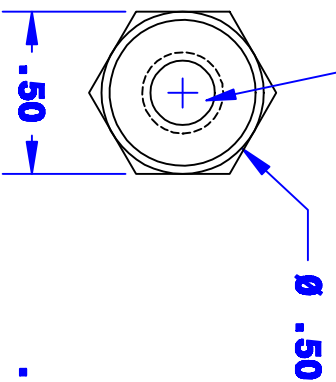


**1/4-20 x .56 Deep (A)
With .03 x 45° chamfer**



| | | | | |
|----------|----------|------|-----|---------------------------|
| Rev | Date | ECN# | By | Description |
| A | 10-04-07 | 1637 | JMH | Thread depth was .93 deep |
| | | | | |
| | | | | |

| | | | |
|---|---------|------------|-------|
| Drawn By | Date | Checked By | Scale |
| JLM H | 2-27-06 | MLK E | None |
| Tolerances, unless otherwise noted Dimensions are reference only | | | |

Property of
QUICK CABLE
3700 Quick Drive
Franksville, WI 53126
U.S.A.
www.quickcable.com

Adaptor Nut

PART #
6025

Confidential and Proprietary Information

| | | |
|----------------------|-----------|----------|
| Material & Treatment | Drawing # | REV |
| 1/2" Brass Hex | 6025-Info | A |
| | Sheet 1 | of 1 |