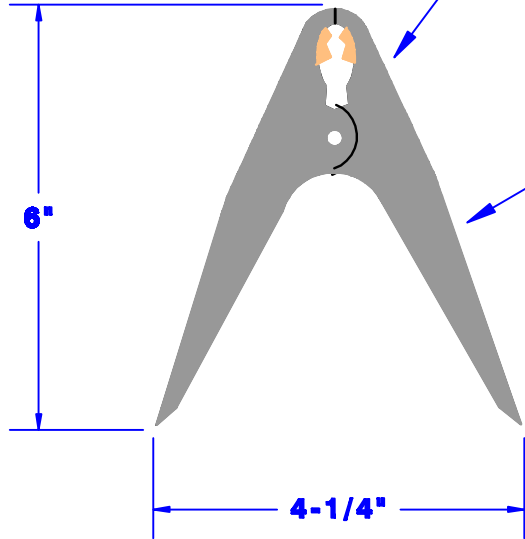
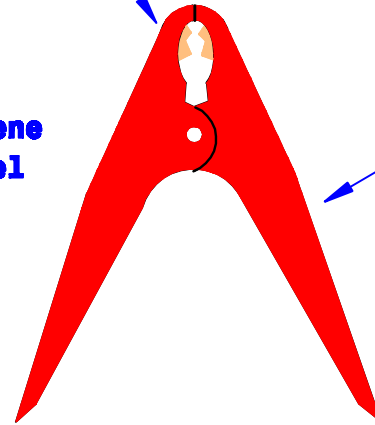


**500 Amp Parrot Clamp
Copper Plated Jaws
P/N 8500**

Jaws Open to 1-1/2" Max



**Black, Polyethylene
Fully Coated Steel**



**Red, Polyethylene
Fully Coated Steel**

**Note: Each pair to include
2 copper plated jaws
with screws**

Property of QUICK CABLE 3780 Quick Dr. Franksville WI	TITLE 500 Amp Parrot Clamp	
	PART # 602065-002	
	Drawing # 602065-002-Info	REV
Material & Treatment		
Sheet 1 of 1		

Drawn By	Date	Checked By	Scale	
Jim H	3-17-04	Mike E	None	
Tolerances, unless otherwise noted				
Rev	Date	ECN#	By	Description