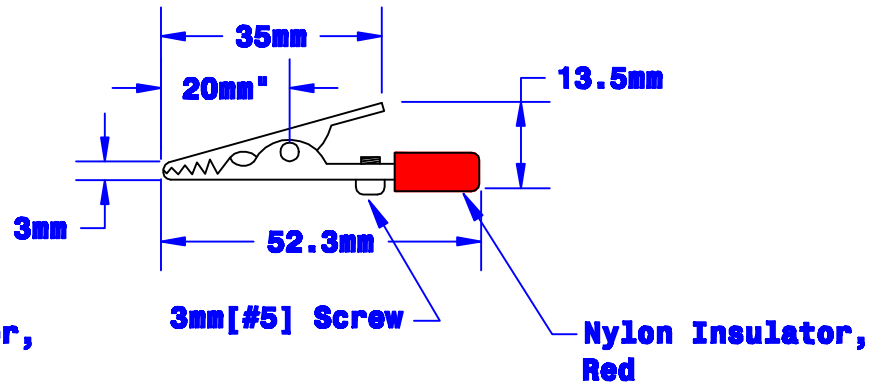
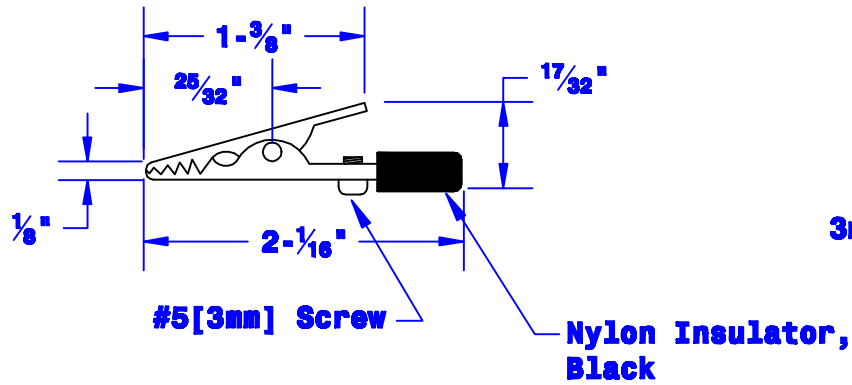


Quick Cable Reserves The Right to Alter Product Types, Their Technical Data, Dimensions, Style And Accessories without Prior Notification.



Maximum Jaw Opening = $\frac{5}{16}$ " [8mm]
 Maximum Wire Size = 8 Ga. [8mm²]

Property of QUICKCABLE® 3700 Quick Drive Franksville, WI 53126 U.S.A. www.quickcable.com		TITLE Alligator Clip
		PART # 602005
Confidential and Proprietary Information		
Material & Treatment Steel, Nickel Plated	Drawing # 602005-Info	REV
Sheet 1 of 1		

Drawn By Jim H	Date 01-27-11	Checked By Mike E	Scale None	
Tolerances, unless otherwise noted Dimensions are reference only				
Rev	Date	ECN#	By	Description