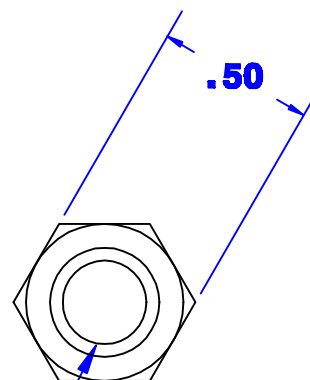
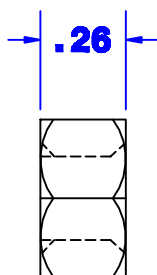


1-1/8" Minimum Thread



5/16-18 UNC-2B Thread

Property of QUICK CABLE 3700 Quick Drive Franksville, WI 53126 U.S.A. www.quickcable.com	TITLE Bolt, Square Head, 5/16-18 X 1-1/4
	PART # 6000

Confidential and Proprietary Information

					Drawn By Kirk A	Date 01-24-08	Checked By Mike E	Scale None	Material & Treatment Steel, Grade 2 Zinc Plated	Drawing # 6000-Info	REV
Rev	Date	ECN#	By	Description	Tolerances, unless otherwise noted Dimensions are reference only				Sheet 1 of 1		