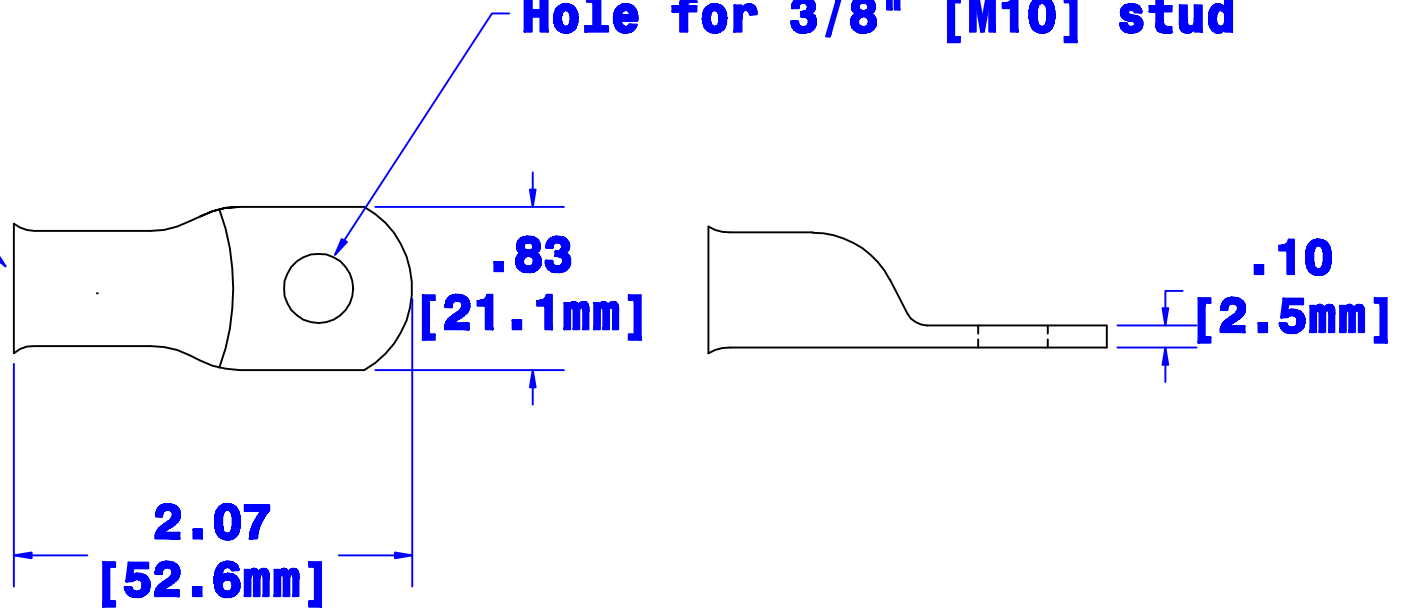


**ID sized for  
2/0 ga [62mm<sup>2</sup>]  
cable**

**Hole for 3/8" [M10] stud**



<b>Property of</b> <b><i>QUICK CABLE</i></b> 3700 Quick Dr. Frankville WI		<b>TITLE</b> 2/0 ga [62mm <sup>2</sup> ] MAX LUG 3/8" [M10] stud	
		<b>PART #</b> 5956F	
<b>Material &amp; Treatment</b> 100% Copper Tin plated		<b>Drawing #</b> 5956F-INFO	<b>REV</b>
		sheet <b>1</b> of <b>1</b>	

			<b>Drawn By</b> Jim H	<b>Date</b> 7/11/03	<b>Checked By</b> Paul	<b>Scale</b> None
<b>Tolerances, unless otherwise noted</b> <b>All dimensions are ref only</b>						
<b>Rev</b>	<b>Date</b>	<b>By</b>	<b>Description</b>			