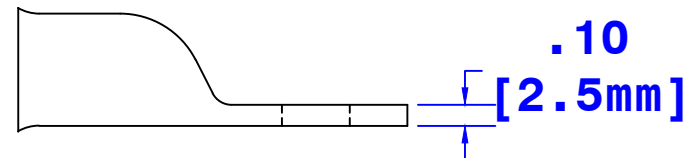
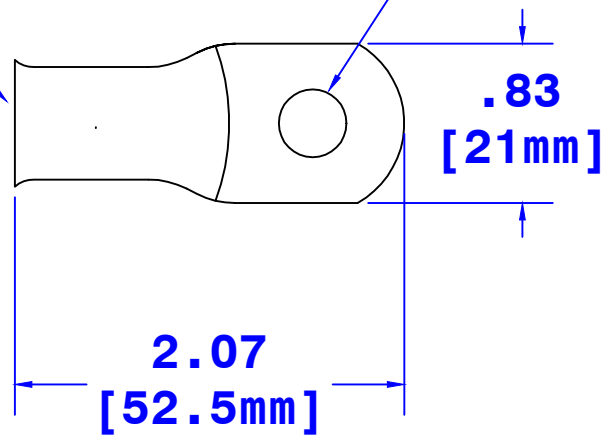


ID sized for  
2/0 [62mm<sup>2</sup>] ga cable

Hole for 1/4" [M6] stud



Property of <b>QUICK CABLE</b>		TITLE 2/0 ga [62mm <sup>2</sup> ] MAX LUG straight 1/4" [M6] stud	
		PART # <b>5956D</b>	
3700 Quick Dr. Franksville WI		Drawing #	REV
Material & Treatment <b>100% Copper</b> <b>Tin plated</b>		<b>5956D-INFO</b>	
		Sheet <b>1</b> of <b>1</b>	

Drawn By <b>Jim H</b>	Date <b>7/11/03</b>	Checked By <b>Paul</b>	Scale <b>None</b>
Tolerances, unless otherwise noted <b>All dimensions are ref only</b>			

Rev	Date	By	Description