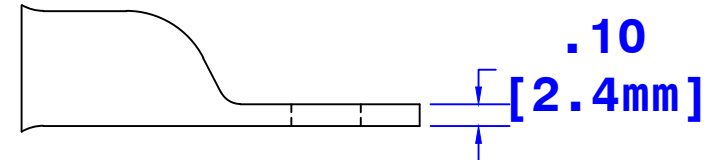
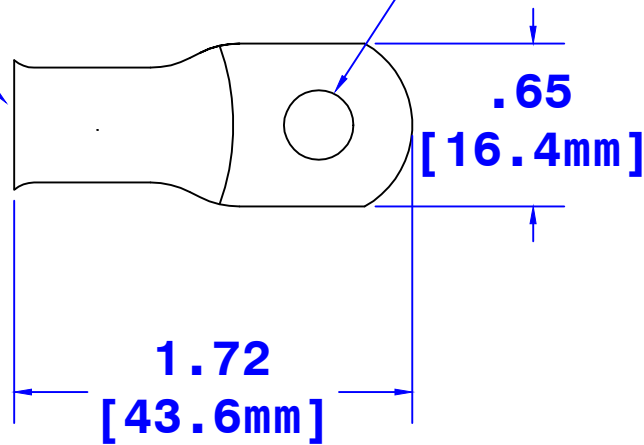


ID sized for  
1 ga [40mm<sup>2</sup>] cable

Hole for 5/16" [M8] stud



Rev	Date	By	Description

Drawn By <b>Jim H</b>	Date <b>7/11/03</b>	Checked By <b>Paul</b>	Scale <b>None</b>
Tolerances, unless otherwise noted <b>All dimensions are ref only</b>			

Property of <b>QUICK CABLE</b>		TITLE 1 ga[40mm <sup>2</sup> ] MAX LUG straight 5/16" [M8] stud	
3700 Quick Dr. Franksville WI		PART # <b>5954E</b>	
Material & Treatment <b>100% Copper</b> <b>Tin plated</b>		Drawing # <b>5954E - INFO</b>	REV
		Sheet <b>1</b>	of <b>1</b>