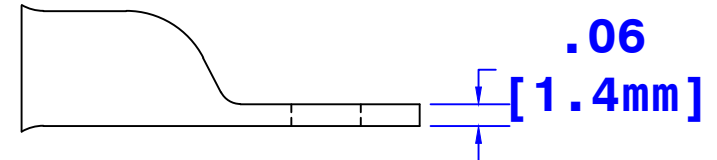
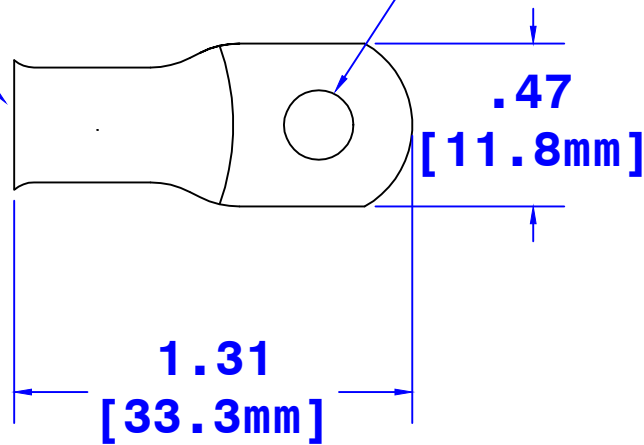


ID sized for
8 ga [8mm²] cable

Hole for 5/16" [M8] stud



Rev	Date	By	Description

Drawn By Paul	Date 7/11/03	Checked By Jim H	Scale None
Tolerances, unless otherwise noted All dimensions are ref only			

Property of QUICK CABLE		TITLE 8 ga [8mm²] MAX LUG straight 5/16" [M8] stud	
3700 Quick Dr. Franksville WI		PART # 5950E	
Material & Treatment 100% Copper Tin plated		Drawing # 5950E - INFO	REV
		Sheet 1	of 1