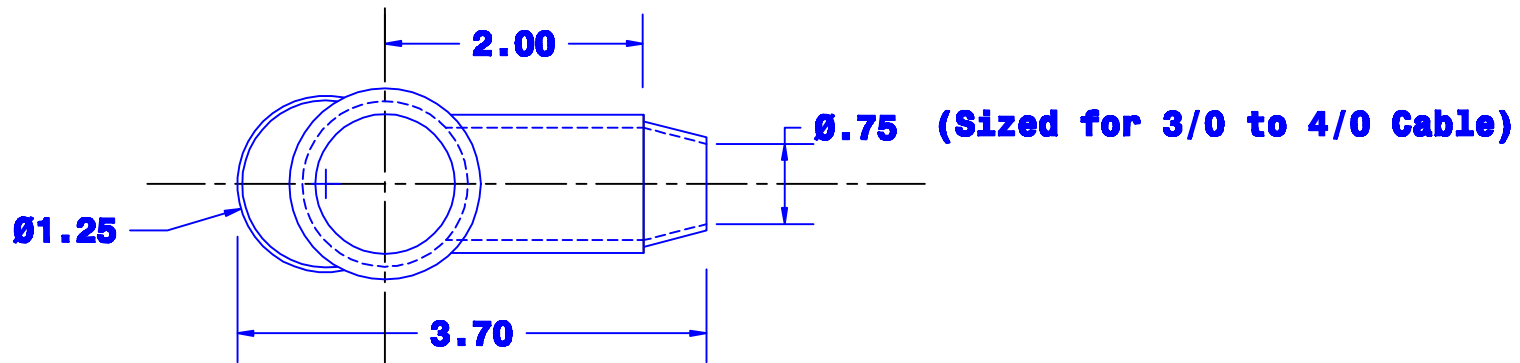
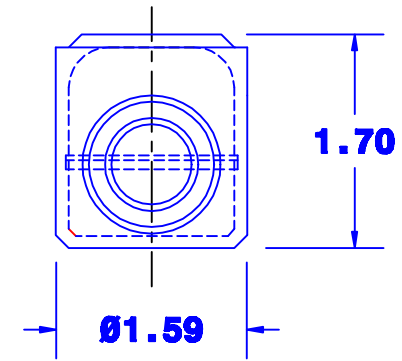
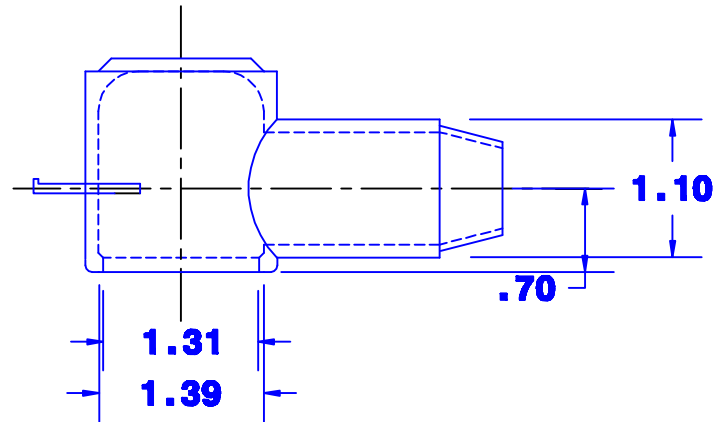


Quick Cable Reserves The Right to Alter Product Type, Their Technical Data, Dimensions, Style And Accessories without Prior Notification.



Typ. Wall Thickness .10

Property of <b>QUICK CABLE</b> 3700 Quick Drive Franksville, WI 53126 U.S.A. www.quickcable.com	TITLE <b>Terminal Protector</b> <b>3/0 - 4/0</b>
	PART # <b>5749BLU</b>

Confidential and Proprietary Information

Material & Treatment <b>Flexible PVC</b> <b>Blue</b>	Drawing # <b>5749BLU-Info</b>	REV
Sheet 1 of 1		

					Drawn By <b>Jim H</b>	Date <b>02-25-13</b>	Checked By <b>Nike E</b>	Scale <b>None</b>
					Tolerances, unless otherwise noted <b>Dimensions are reference only</b>			
Rev	Date	ECH#	By	Description				