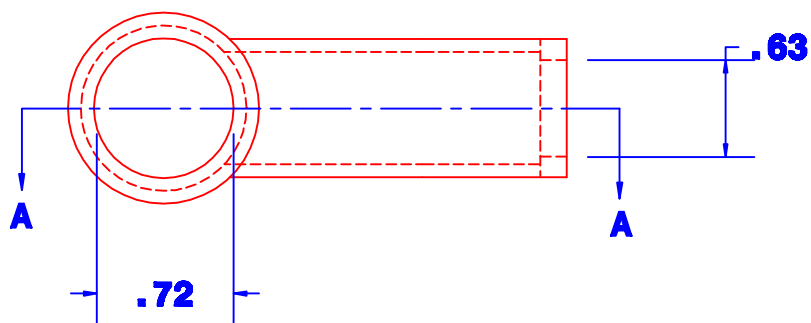
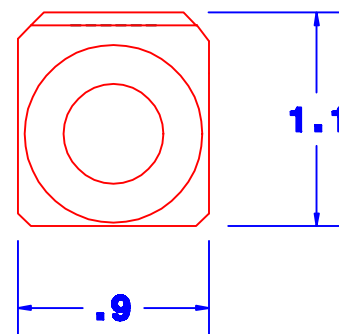
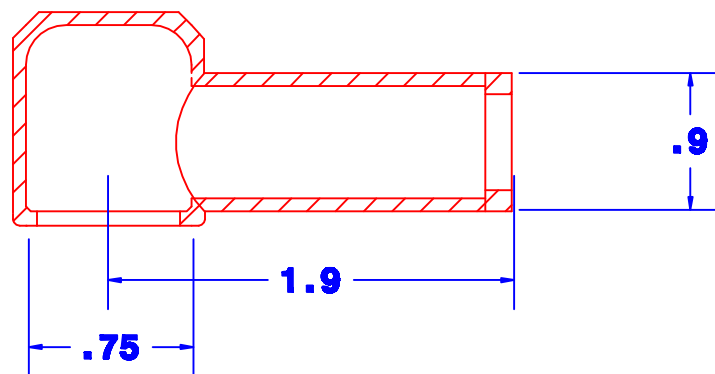


Section A-A



Bottom View

Property of QUICK CABLE 3780 Quik Dr. Frankville WI	TITLE Lug Protector 1/0 & 2/0 Ga.	
	PART # 5736R	
Material & Treatment	Drawing #	REV
Flexible PVC, Red	5736R-Info	
	Sheet 1	of 1

Drawn By Jim H	Date 5-06-05	Checked By Mike E	Scale None	
Tolerances, unless otherwise noted				
Dimensions Are Reference Only				
Rev	Date	ECN#	By	Description