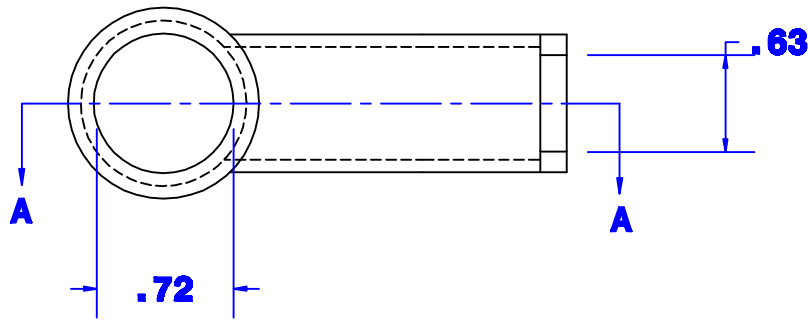
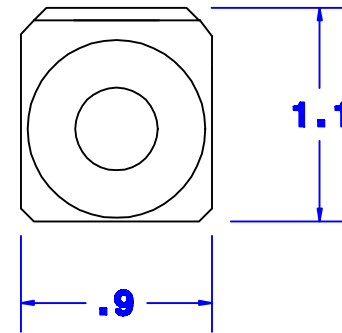
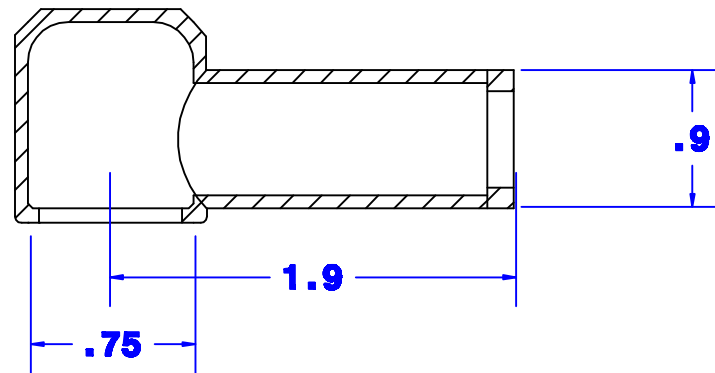


Section A-A



Bottom View

Property of QUICK CABLE 3780 Quik Dr. Franksville WI	TITLE Lug Protector 1/0 & 2/0 Ga.	
	PART # 5736B	
Material & Treatment	Drawing # 5736B-Info	REV
Flexible PVC, Black	Sheet 1 of 1	

Rev	Date	ECN#	By	Description

Drawn By Jim H	Date 5-06-05	Checked By Mike E	Scale None
Tolerance, unless otherwise noted Dimensions Are Reference Only			