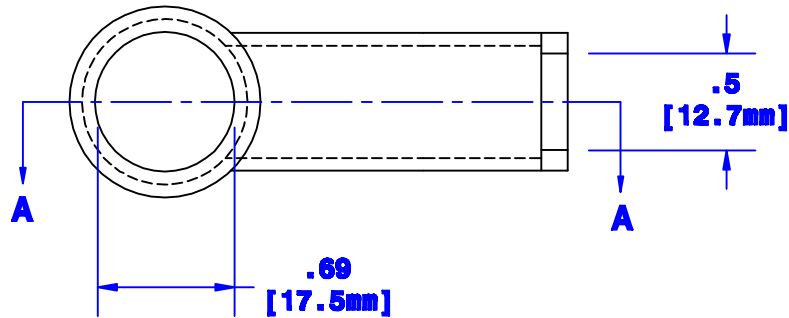
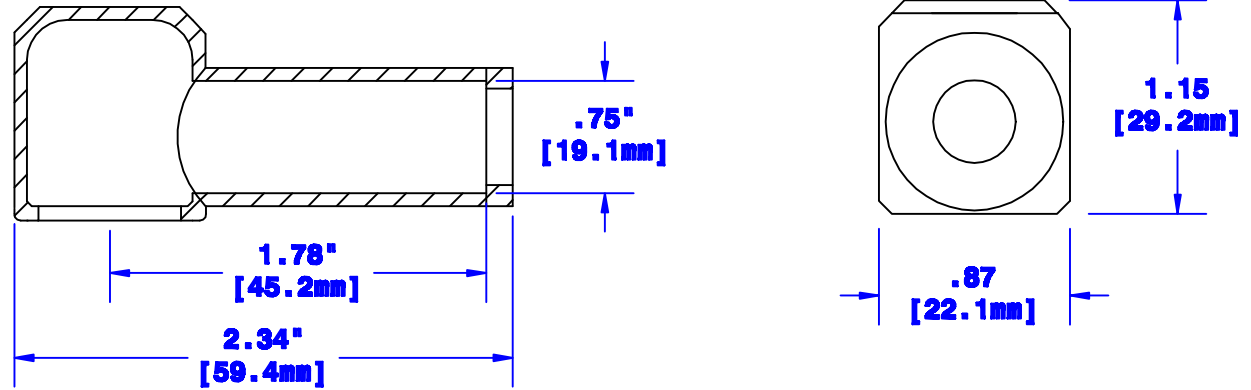


Quick Cable Reserves The Right to Alter Product Type, Their Technical Data, Dimensions, Style And Accessories without Prior Notification.

Section A-A



Bottom View

Typ. Wall = .06" [1.5mm]

Property of QUICKCABLE		TITLE Terminal Protector 1 & 2 Ga.	
3700 Quick Drive Franksville, WI 53126 U.S.A. www.quickcable.com		PART # 5735B	
Confidential and Proprietary Information			
Material & Treatment Flexible PVC, Black		Drawing # 5735B-Info	REV A
		Sheet 1	of 1

Rev	Date	ECN#	By	Description	Drawn By Jim H	Date 02-25-04	Checked By Mike E	Scale None
A	06-09-11	2361	JMH	Update dimensions; add metric dimensions	Tolerances, unless otherwise noted Dimensions Are Reference Only			