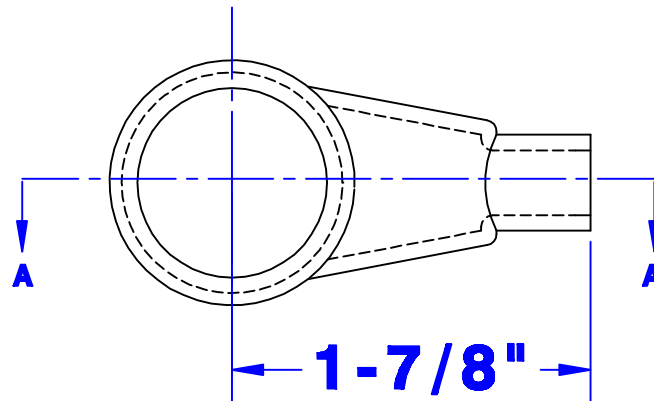
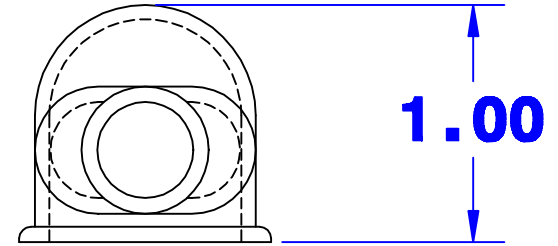
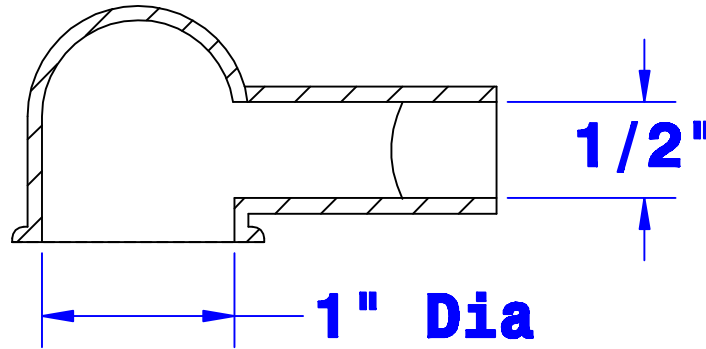


**SECTION A-A**



<b>Property of</b> <b>QUICK CABLE</b> 3700 Quick Dr. Frankeville WI		<b>TITLE</b> <b>Heavy duty starter boot 1 &amp; 2 ga</b>	
		<b>PART #</b> <b>5734B</b>	
<b>Material &amp; Treatment</b> <b>Flexible PVC, black</b>		<b>Drawing #</b> <b>5734B-Info</b>	<b>REV</b>
		<b>Sheet 1</b>	<b>Of 1</b>

			<b>Drawn By</b> P.Peterson	<b>Date</b> 6/25/02	<b>Checked By</b> ME	<b>Scale</b> None
<b>Tolerances, unless otherwise noted</b>						
<b>Rev</b>	<b>Date</b>	<b>By</b>	<b>Description</b>			