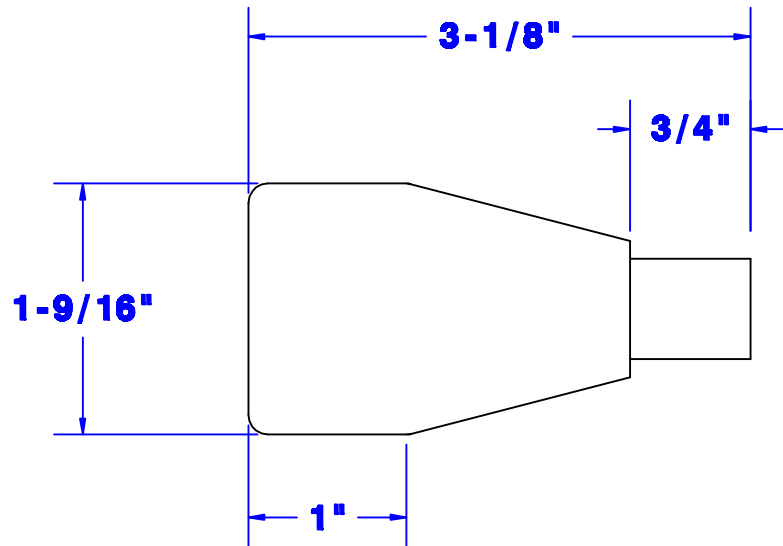
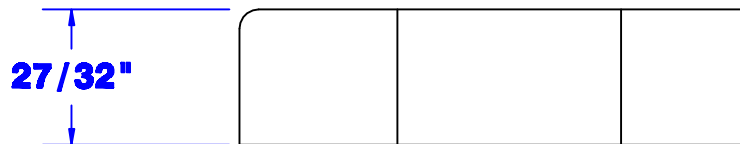


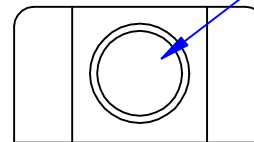
TOP



SIDE



Sized for 1 & 2 Ga. Cable
REAR



Property of QUICK CABLE 3780 Quick Dr. Franksville WI	TITLE Terminal Protector Straight Clamp	
	PART # 5723B	
Material & Treatment Black High Density Polyethylene	Drawing # 5723B-Info	REV
	Sheet 1	of 1

Drawn By Jim H	Date 11-10-04	Checked By Mike E	Scale None	
Tolerances, unless otherwise noted Dimensions are ref. only				
Rev	Date	ECN#	By	Description