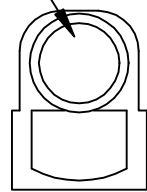
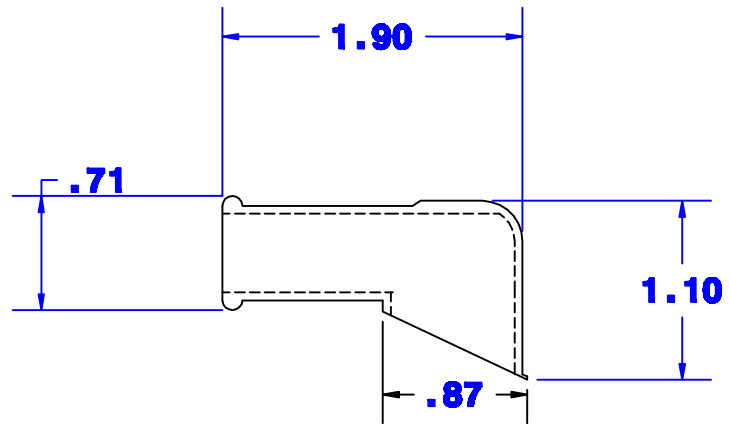


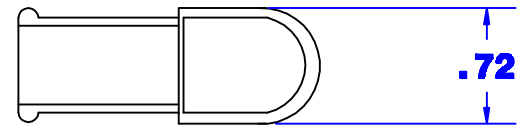
Sized for 4 Ga. Cable



End View



Side View



Bottom View

|                               |  |   |  |
|-------------------------------|--|---|--|
| Property of                   |  | TITLE                                       |  |
| <b>QUICK CABLE</b>            |  | Terminal Protector,<br>Straight & Angle Lug |  |
| 3700 Quick Dr. Franksville WI |  | PART #                                      |  |
|                               |  | 5718B                                       |  |
| Material & Treatment          |  | Drawing #                                   |  |
| High Temp.<br>PVC, Black      |  | 5718B-Info                                  |  |
|                               |  | REV   |  |
|                               |  | Sheet 1 of 1                                |  |

| Rev | Date | ECN# | By | Description |
|-----|------|------|----|-------------|
|     |      |      |    |             |
|     |      |      |    |             |
|     |      |      |    |             |

|                                    |         |            |       |
|------------------------------------|---------|------------|-------|
| Drawn By                           | Date    | Checked By | Scale |
| Jim H                              | 1-20-05 | Mike E     | None  |
| Tolerances, unless otherwise noted |         |            |       |
| Dimensions are reference only      |         |            |       |