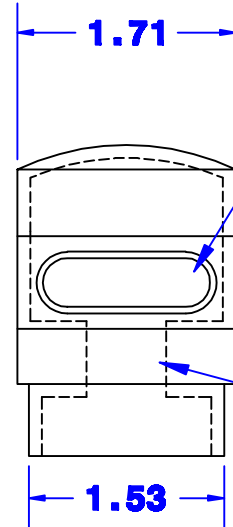
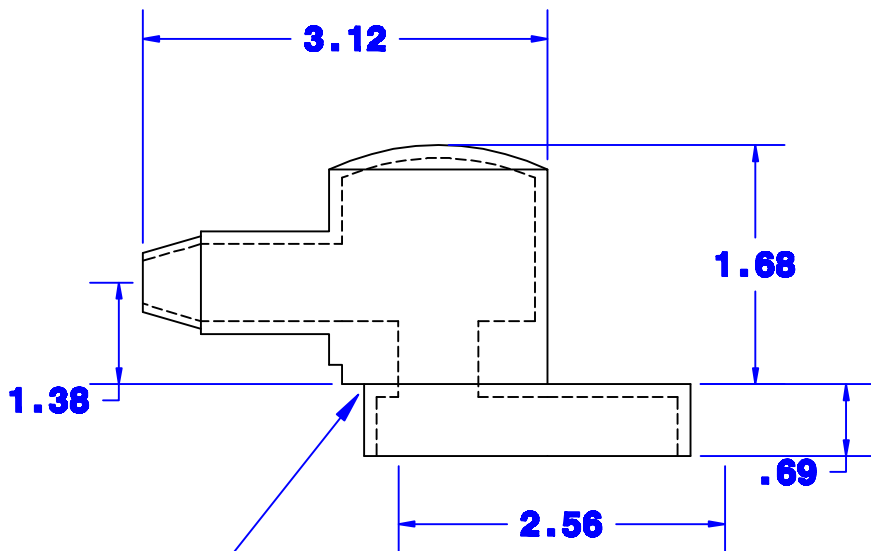


**NOTE: Wall Thickness
Approx. .100**



**3/8" X 1-1/4" Opening
For Various Cable Sizes**

5/8" Dia. Hole

**Full 360 Deg. Rotation
At This Point**

Property of QUICK CABLE 3700 Quick Dr. Frankville WI	TITLE Marine Terminal, Swivel	
	PART # 5705B	
Material & Treatment Polyvinylchloride, Black	Drawing # 5705B-Info	REV
	Sheet 1	of 1

Drawn By Jim H	Date 6-25-04	Checked By Mike E	Scale None
Tolerance, unless otherwise noted Dimensions are reference only			

Rev	Date	ECN#	By	Description