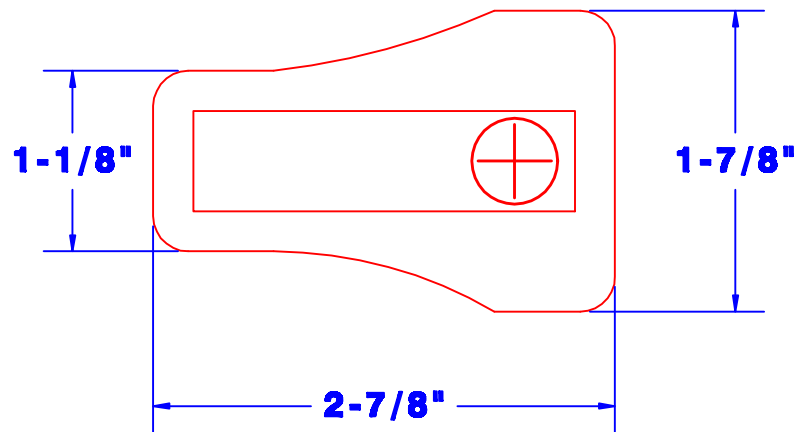
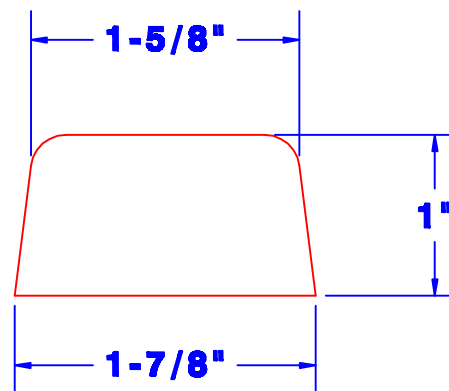


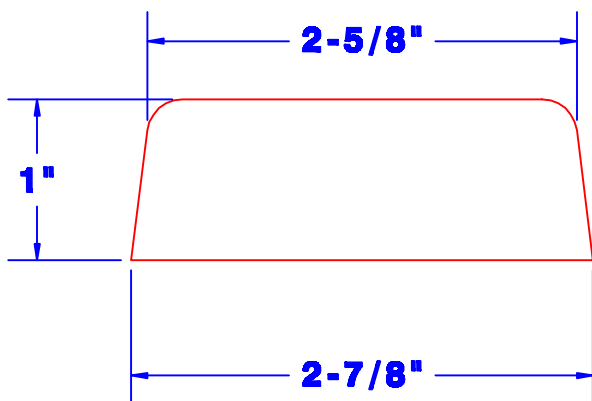
TOP



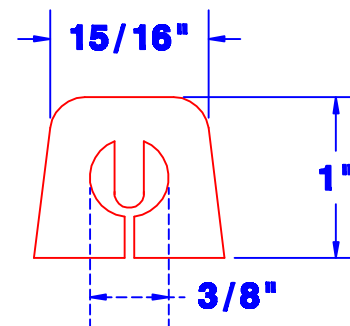
FRONT



SIDE



REAR



Property of QUICK CABLE 3700 Quick Dr. Franksville WI	TITLE Terminal Protector 6 & 4 Ga.	
	PART # 5704R	
Material & Treatment Red High Density Polyethylene	Drawing # 5704R-Info	REV
	Sheet 1	of 1

Rev	Date	ECN#	By	Description

Drawn By Jim H	Date 5-28-04	Checked By Mike E	Scale None
Tolerances, unless otherwise noted			
Dimensions are reference only			