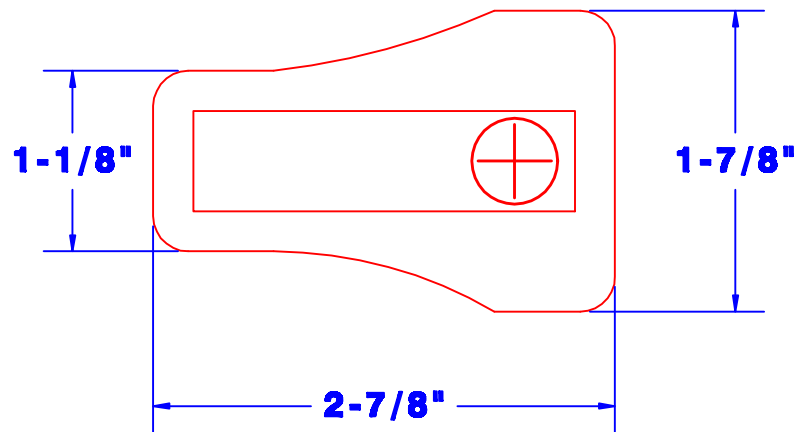
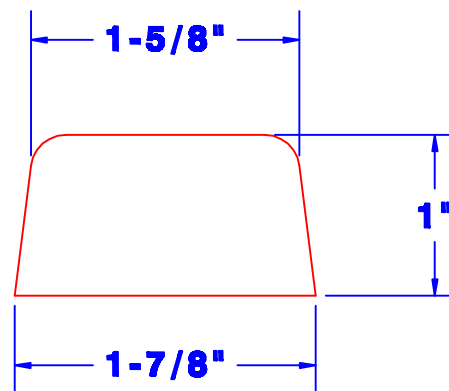


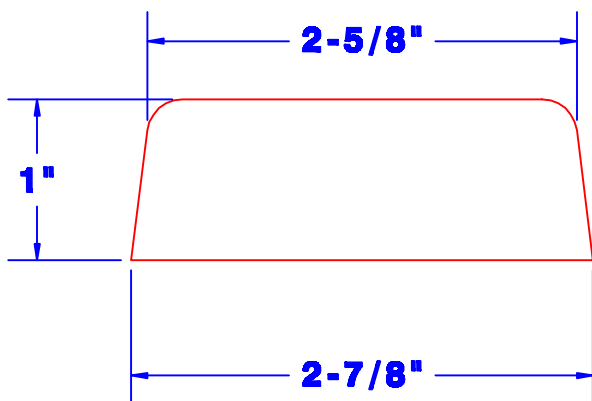
TOP



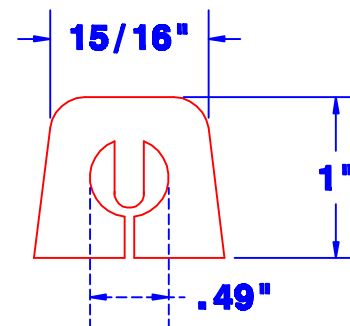
FRONT



SIDE



REAR



| | | |
|--|--|-------------|
| Property of QUICK CABLE 3700 Quick Dr. Franksville WI | TITLE Terminal Protector 1 & 2 Ea. | |
| | PART # 5702R | |
| Material & Treatment Red High Density Polyethylene | Drawing # 5702R-Info | REV |
| | Sheet 1 | of 1 |

| Rev | Date | ECN# | By | Description |
|-----|------|------|----|-------------|
| | | | | |
| | | | | |
| | | | | |

| | | | |
|--------------------------------------|------------------------|-----------------------------|----------------------|
| Drawn By Jim H | Date 5-28-04 | Checked By Mike E | Scale None |
| Tolerances, unless otherwise noted | | | |
| Dimensions are reference only | | | |