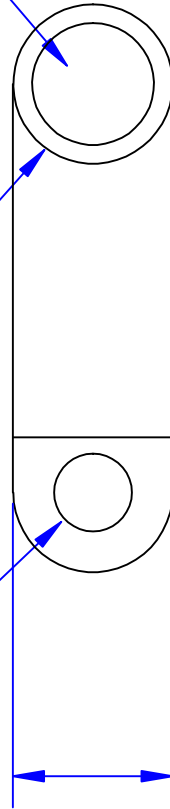


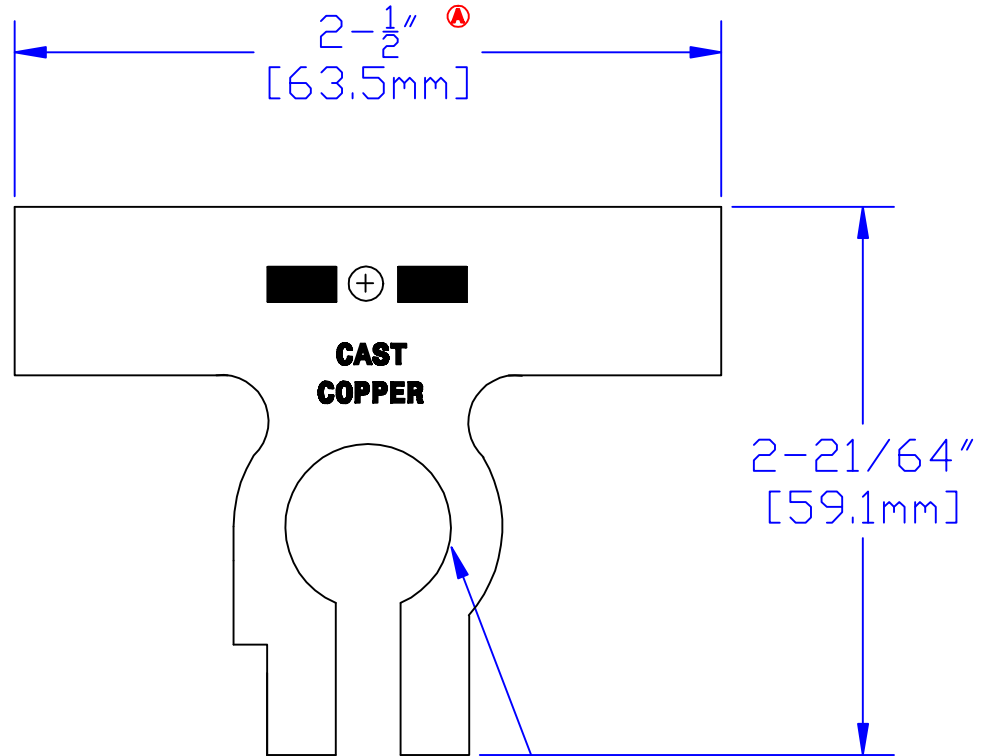
**I.D. threaded 1/2 NPT
for P/N 6140 comp. nut**

**1" O.D.
[25.4mm]
(May vary due
to shrinkage)**

**Hole sized for
5/16" [M8] bolt**



$5/16"$
[20.2mm]



**Sized for
Pos. post**

Property of		TITLE	
QUICK CABLE		Compression Flag	
3700 Quick Dr. Franksville WI		4/0 Ga [103mm ²]	
PART #		REV	
5340P		A	
Material & Treatment		Drawing #	
High Conductivity		5340P-INFO	
Copper Alloy		Sheet 1 of 1	
Matte Tin Plated			

Rev	Date	ECN#	By	Description
A	1-13-05	676	JMH	Length changed to match new tooling

Drawn By	Date	Checked By	Scale
Jim H	11-20-03	Mike E	None
Tolerances, unless otherwise noted			
Dimensions are reference only			