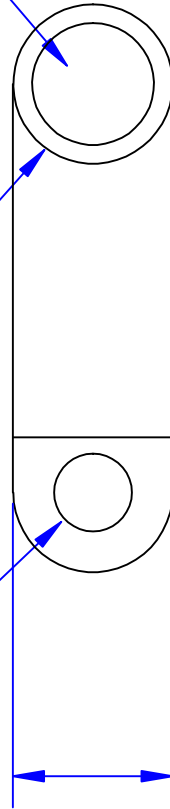


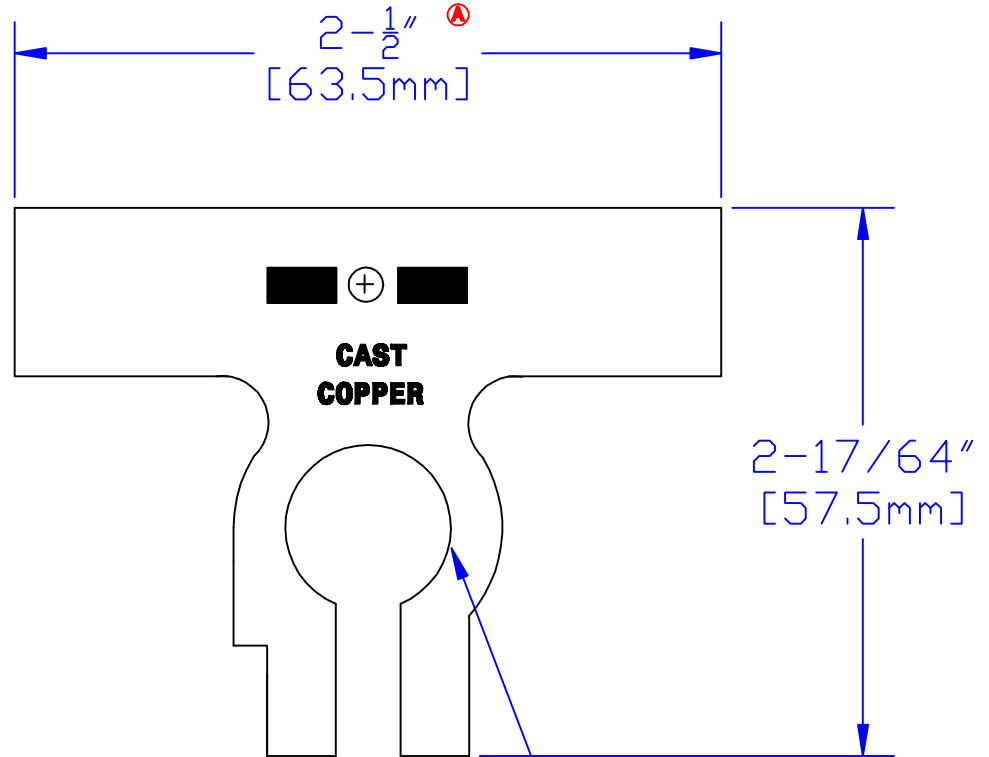
**I.D. threaded 3/8 NPT
for P/N 6130 comp. nut**

**27/32" O.D.
[21.4mm]
(May vary due
to shrinkage)**

**Hole sized for
5/16" [M8] bolt**



**23/32"
[18.3mm]**



**2-1/2" ^A
[63.5mm]**

**2-17/64"
[57.5mm]**

**CAST
COPPER**

**Sized for
Pos. post**

Rev	Date	ECN#	By	Description
A	1-13-05	676	JMH	Length changed to match new tooling

Drawn By Jim H	Date 11-20-03	Checked By Mike E	Scale None
Tolerances, unless otherwise noted			
Dimensions are reference only			

Property of QUICK CABLE		TITLE Compression flag 3/0 Ga [81mm²]	
3700 Quick Dr. Franksville WI		PART # 5330P	
Material & Treatment High Conductivity Copper Alloy Matte Tin Plated		Drawing # 5330P-INFO	REV A
		Sheet 1	of 1