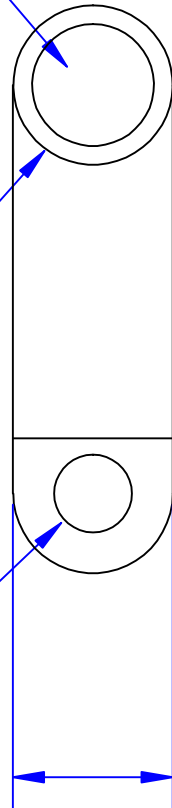


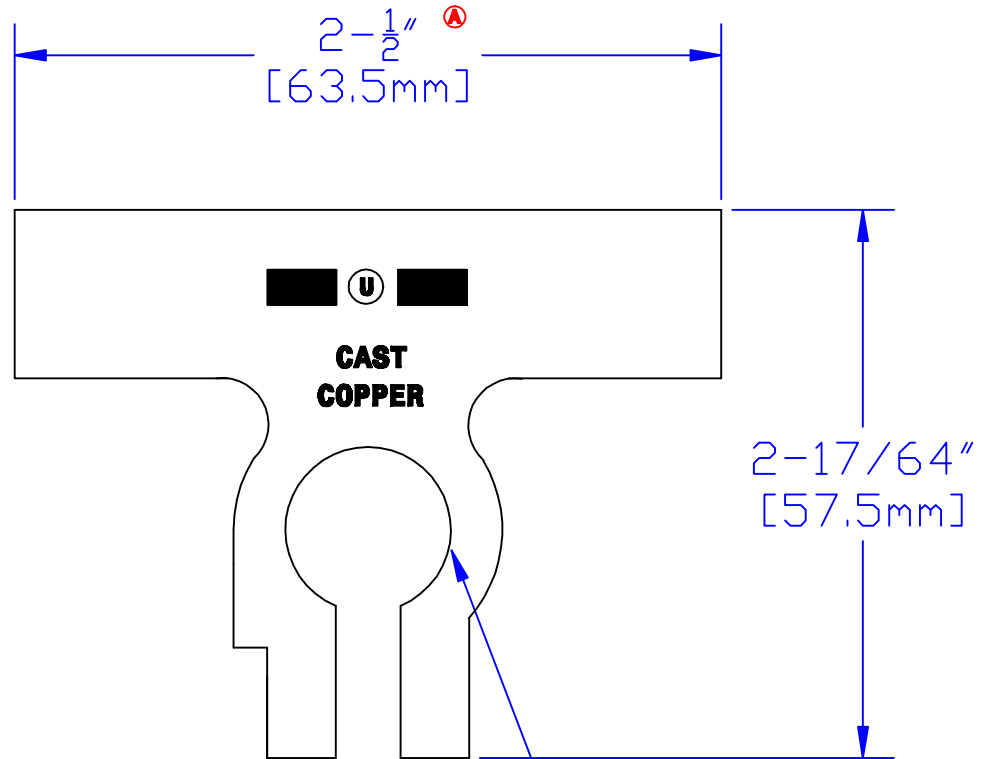
**I.D. threaded 3/8 NPT
for P/N 6120 comp. nut**

**27/32" O.D.
[21.4mm]
(May vary due
to shrinkage)**

**Hole sized for
5/16" [M8] bolt**



**23/32"
[18.3mm]**



**Sized for
Univ. post**

Property of		TITLE Compression flag	
QUICK CABLE		2/0 Ga [62mm ²]	
3700 Quick Dr. Franksville WI		PART #	
		5320U	
Material & Treatment		Drawing #	REV
High Conductivity Copper Alloy Matte Tin Plated		5320U-INFO	A
		Sheet 1	of 1

Rev	Date	ECN#	By	Description
A	1-13-05	676	JMH	Length changed to match new tooling

Drawn By	Date	Checked By	Scale
Jim H	11-20-03	Mike E	None
Tolerances, unless otherwise noted			
Dimensions are reference only			