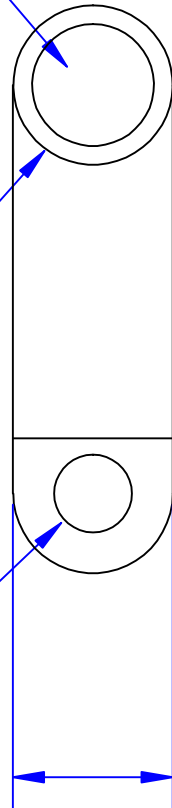


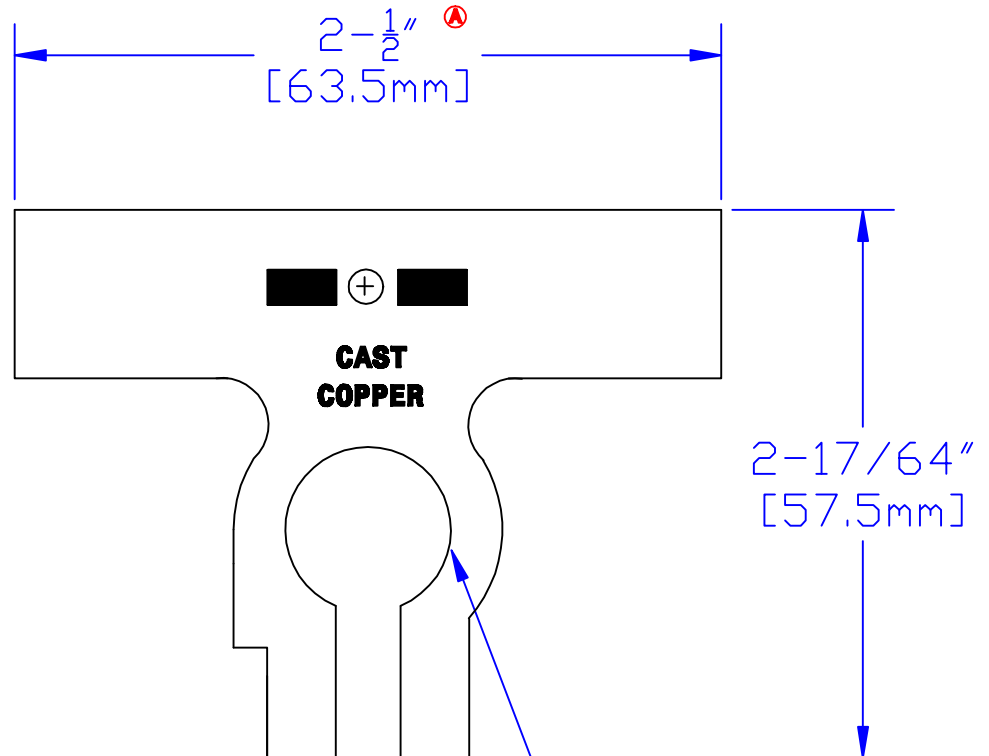
**I.D. threaded 3/8 NPT  
for P/N 6120 comp. nut**

**27/32" O.D.  
[21.4mm]  
(May vary due  
to shrinkage)**

**Hole sized for  
5/16" [M8] bolt**



**23/32"  
[18.3mm]**



**Sized for  
Pos. post**

<b>Property of</b>		<b>TITLE</b>	
<b>QUICK CABLE</b>		<b>Compression flag</b>	
3700 Quick Dr. Franksville WI		2/0 Ga [62mm <sup>2</sup> ]	
PART #		REV	
<b>5320P</b>		<b>A</b>	
Drawing #		Sheet 1 of 1	
<b>5320P-INFO</b>			
Material & Treatment			
High Conductivity			
Copper Alloy			
Matte Tin Plated			

Rev	Date	ECN#	By	Description
A	1-13-05	676	JMH	Length changed to match new tooling

Drawn By	Date	Checked By	Scale
Jim H	11-20-03	Mike E	None
Tolerances, unless otherwise noted			
Dimensions are reference only			