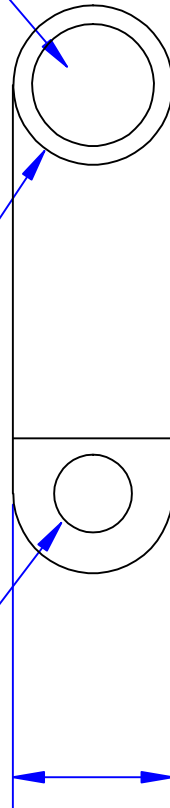


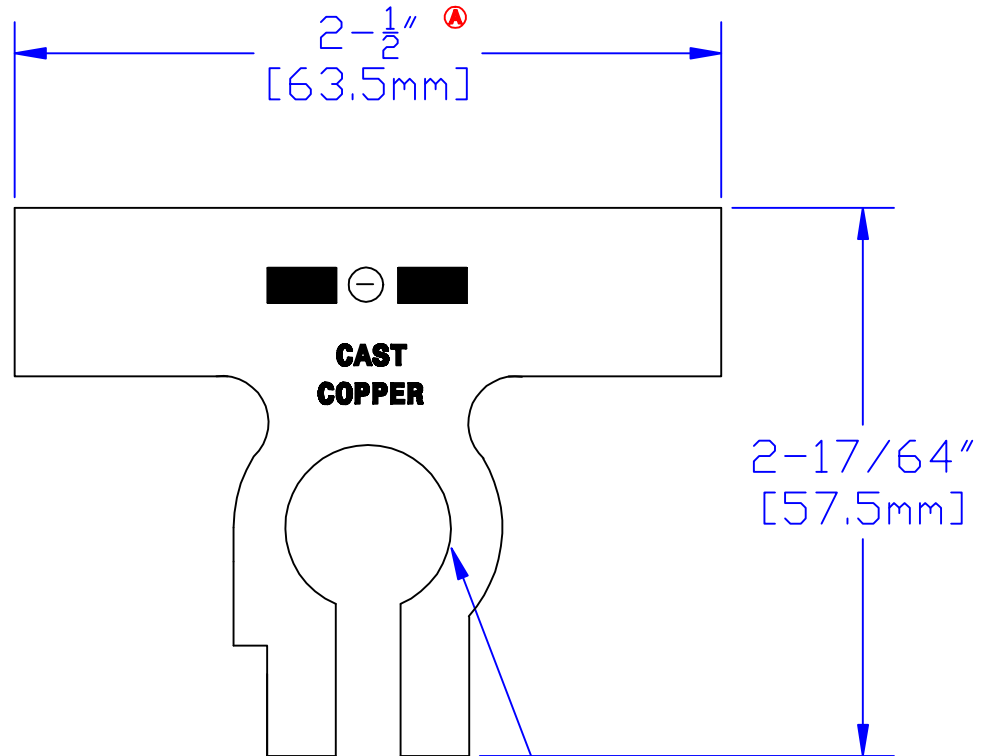
**I.D. threaded 3/8 NPT
for P/N 6120 comp. nut**

**27/32" O.D.
[21.4mm]
(May vary due
to shrinkage)**

**Hole sized for
5/16" [M8] bolt**



**23/32"
[18.3mm]**



**CAST
COPPER**

**Sized for
Neg. post**

| Rev | Date | ECN# | By | Description |
|-----|---------|------|-----|-------------------------------------|
| ▲ | 1-13-05 | 676 | JMH | Length changed to match new tooling |

| | | | |
|--------------------------------------|-------------------------|-----------------------------|----------------------|
| Drawn By Jim H | Date 11-20-03 | Checked By Mike E | Scale None |
| Tolerances, unless otherwise noted | | | |
| Dimensions are reference only | | | |

| | | | |
|---|--|----------------------------------|--|
| Property of QUICK CABLE | | TITLE Compression flag | |
| 3700 Quick Dr. Franksville WI | | 2/0 Ga [62mm ²] | |
| PART # 5320N | | REV A | |
| Material & Treatment High Conductivity Copper Alloy Matte Tin Plated | | Drawing # 5320N-INFO | |
| Sheet 1 | | of 1 | |