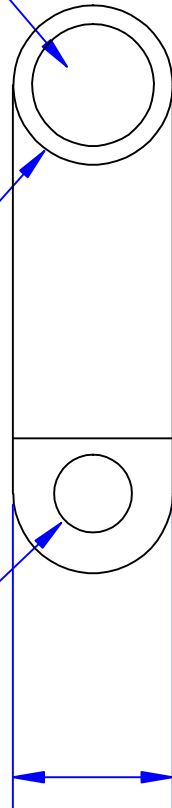


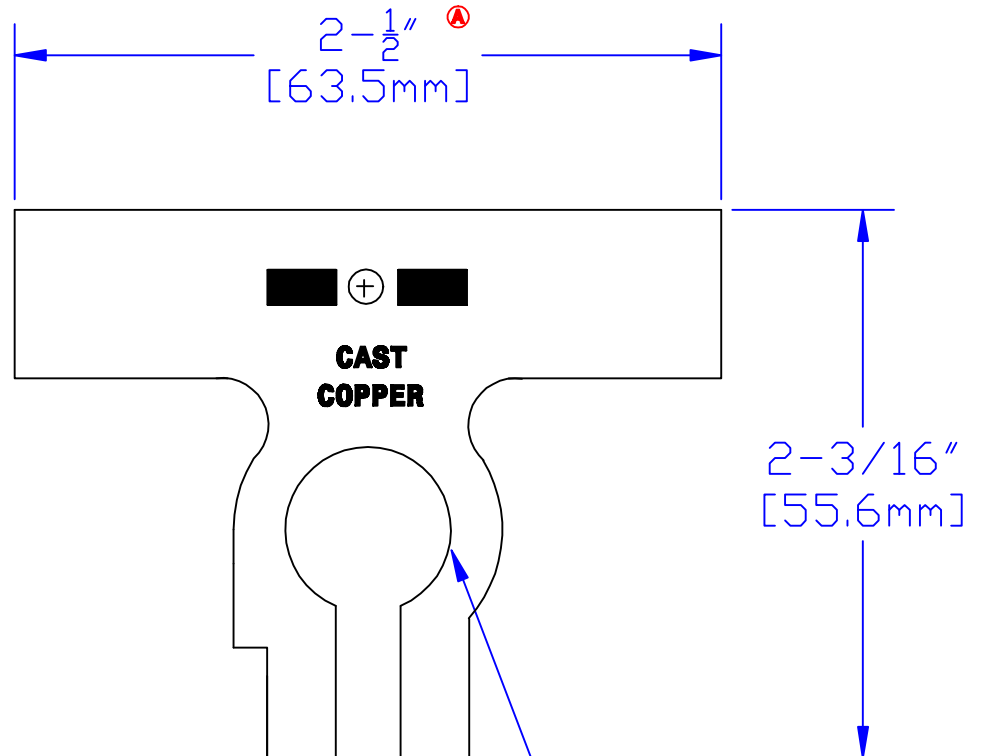
**I.D. threaded 1/4 NPT
for P/N 6110 comp. nut**

**21/32" O.D.
[16.6mm]
(May vary due
to shrinkage)**

**Hole sized for
5/16" [M8] bolt**



21/32"
[16.6mm]



2-1/2" ^A
[63.5mm]

2-3/16"
[55.6mm]

**CAST
COPPER**

**Sized for
Pos. post**

Rev	Date	ECN#	By	Description
A	1-13-05	676	JMH	Length changed to match new tooling

Drawn By Jim H	Date 11-20-03	Checked By Mike E	Scale None
Tolerances, unless otherwise noted			
Dimensions are reference only			

Property of QUICK CABLE		TITLE Compression flag	
3700 Quick Dr. Franksville WI		1/06a [50mm ²]	
PART # 5310P		REV A	
Material & Treatment High Conductivity Copper Alloy Matte Tin Plated		Drawing # 5310P-INFO	
Sheet 1		of 1	