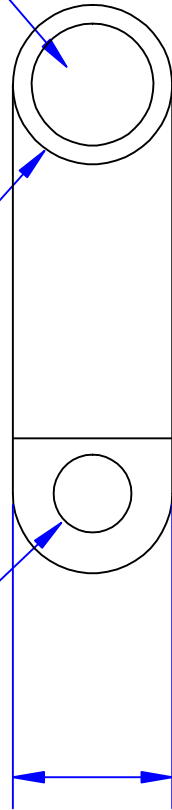


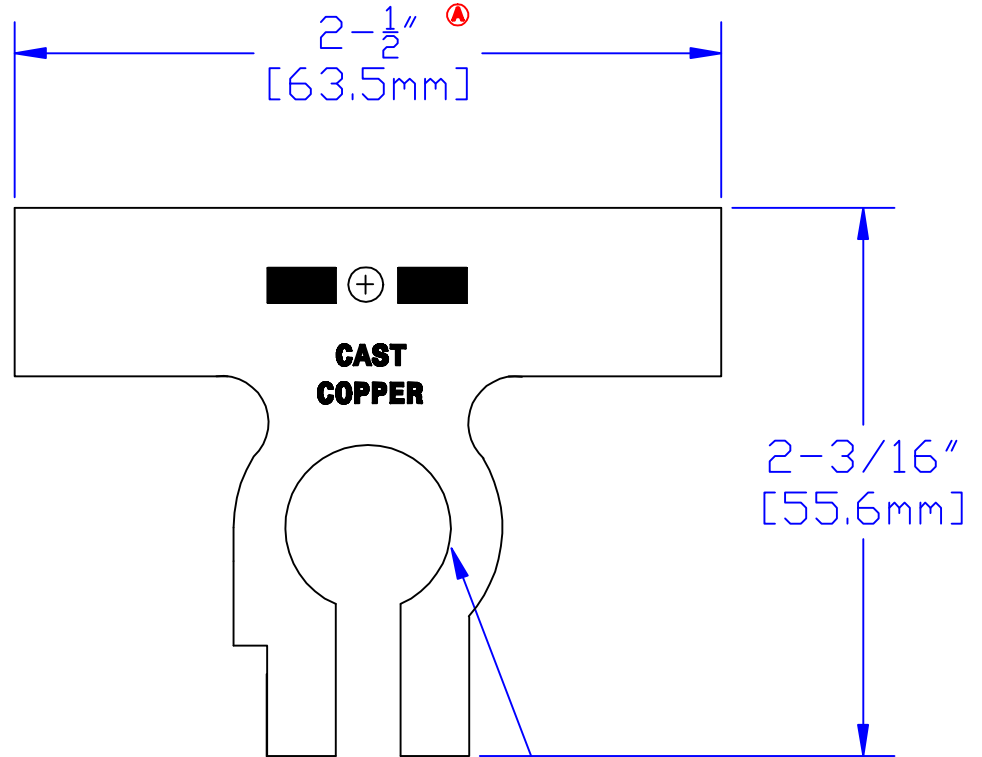
**I.D. threaded 1/4 NPT
for P/N 6102 comp. nut**

**21/32" O.D.
[16.6mm]
(May vary due
to shrinkage)**

**Hole sized for
5/16" [M8] bolt**



21/32"
[16.6mm]



**CAST
COPPER**

**Sized for
Pos. post**

Rev	Date	ECN#	By	Description
A	1-13-06	676	JMH	Length changed to match new tooling

Drawn By Jim H	Date 11-20-03	Checked By Mike E	Scale None
Tolerances, unless otherwise noted Dimensions are reference only			

Property of QUICK CABLE		TITLE Compression flag 1 & 2 Ga [40-32mm²]	
3700 Quick Dr. Franksville WI		PART # 5302P	
Material & Treatment High Conductivity Copper Alloy Matte Tin Plated		Drawing # 5302P-INFO	REV A
		Sheet 1	of 1