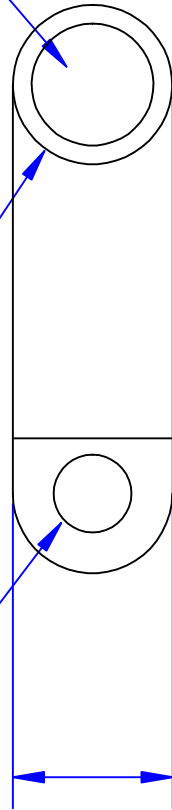


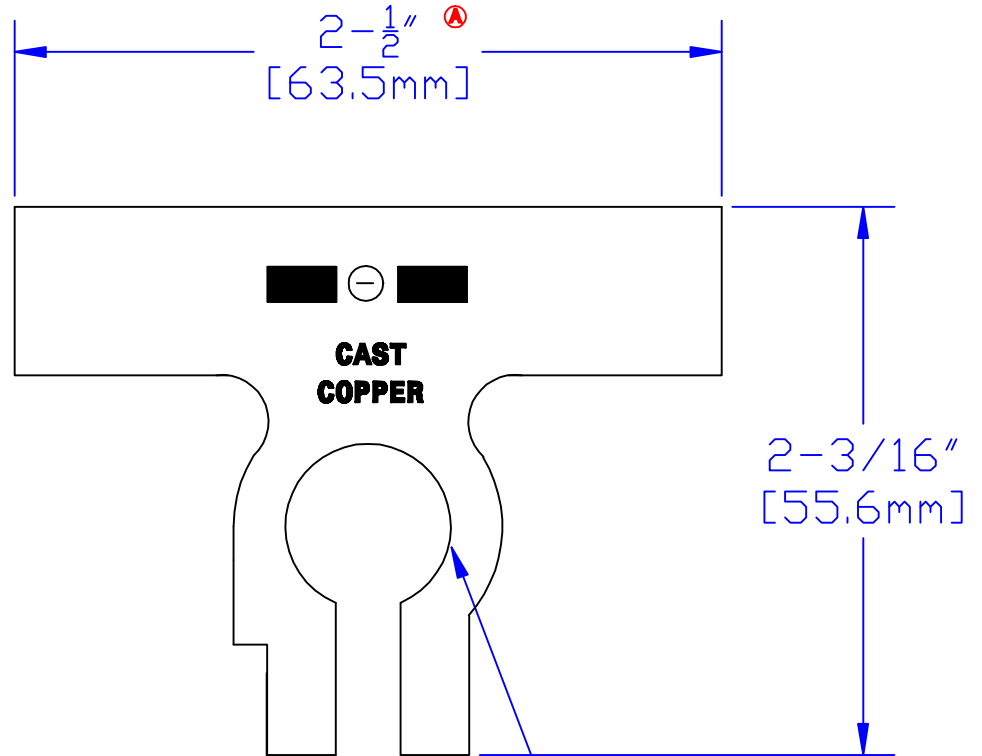
**I.D. threaded 1/4 NPT
for P/N 6102 comp. nut**

**21/32" O.D.
[16.6mm]
(May vary due
to shrinkage)**

**Hole sized for
5/16" [M8] bolt**



21/32"
[16.6mm]



**Sized for
Neg. post**

Property of		TITLE Compression flag	
QUICK CABLE		1 & 2 Ga [40-32mm ²]	
3700 Quick Dr. Franksville WI		PART #	
		5302N	
Material & Treatment		Drawing #	REV
High Conductivity		5302N-INFO	A
Copper Alloy		Sheet 1	of 1
Matte Tin Plated			

Rev	Date	ECN#	By	Description
▲	1-13-05	676	JMH	Length changed to match new tooling

Drawn By	Date	Checked By	Scale
Jim H	11-20-03	Mike E	None
Tolerances, unless otherwise noted			
Dimensions are reference only			