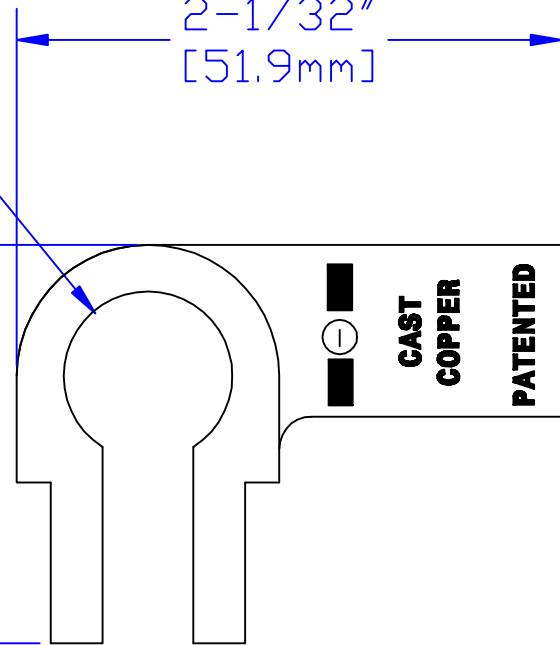


**Sized for SAE
NEG post.**

2-1/32"
[51.9mm]

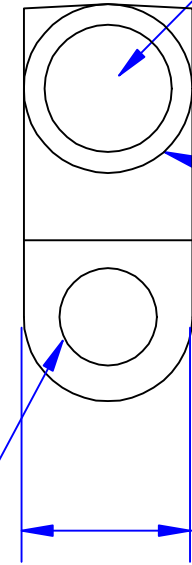
1-39/64"
[40.9mm]



**I.D. threaded
3/8 NPT for
P/N 6130 comp. nut**

**27/32" OD.
[21.4mm]
(Dia may
vary due to
shrinkage)**

23/32"
[18.3mm]



**Bolt hole sized
for 5/16" [M8] bolt**

Property of QUICK CABLE 3700 Quick Dr. Franksville WI		TITLE Compression L Elbow 3/0 Ga [81mm ²] PART # 5230N	
Material & Treatment High Conductivity Copper Alloy Matte Tin Plated		Drawing # 5230N-INFO	REV A
Tolerances, unless otherwise noted Dimensions for reference only		Sheet 1 of 1	

Rev	Date	ECN#	By	Description
A	3-5-04	698	Jim H	Added Tol. spec.

Drawn By Jim H	Date 11-20-03	Checked By Mike E	Scale None
--------------------------	-------------------------	-----------------------------	----------------------