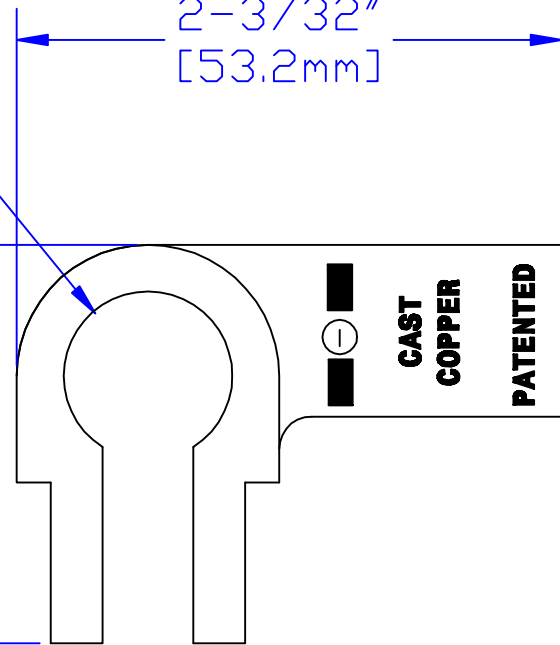


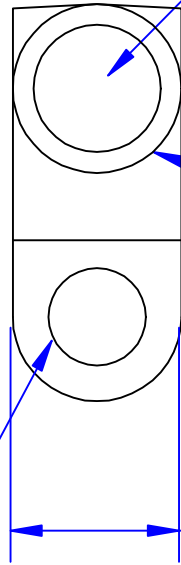
**Sized for SAE  
NEG post.**

2-3/32"  
[53.2mm]

1-33/64"  
[38.5mm]



**I.D. threaded  
1/4 NPT for  
P/N 6110 comp. nut**



**21/32" OD.  
[16.6mm]  
(Dia may  
vary due to  
shrinkage)**

41/64"  
[16.3mm]

**Bolt hole sized  
for 5/16" [M8] bolt**

Property of <b>QUICK CABLE</b>		Compression L Elbow 1/0Ga [50mm <sup>2</sup> ]	
3700 Quick Dr. Franksville WI		PART # <b>5210N</b>	
Material & Treatment High Conductivity Copper Alloy Matte Tin Plated		Drawing # <b>5210N-INFO</b>	REV <b>A</b>
Tolerances, unless otherwise noted Dimensions for reference only		Sheet 1 of 1	

Rev	Date	ECN#	By	Description
A	3-5-04	698	Jim H	Added Tol. spec.

Drawn By <b>Jim H</b>	Date <b>11-20-03</b>	Checked By <b>Mike E</b>	Scale <b>None</b>
--------------------------	-------------------------	-----------------------------	----------------------