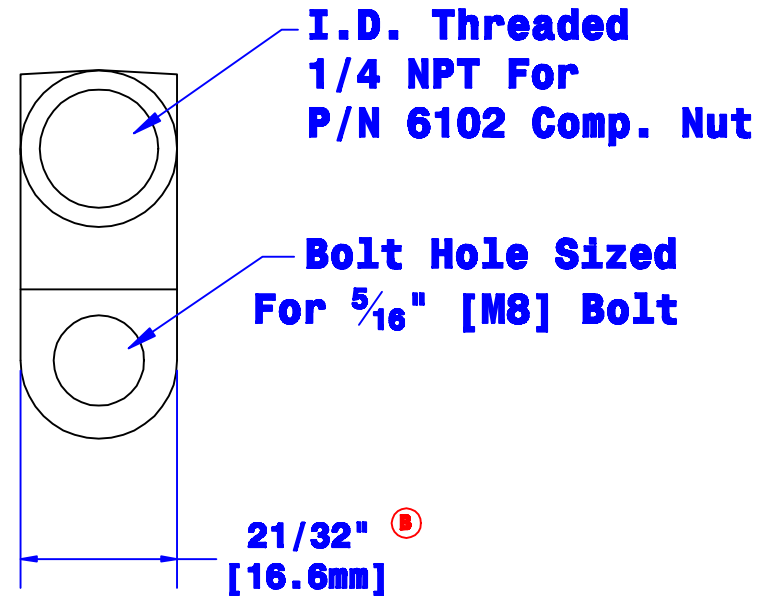
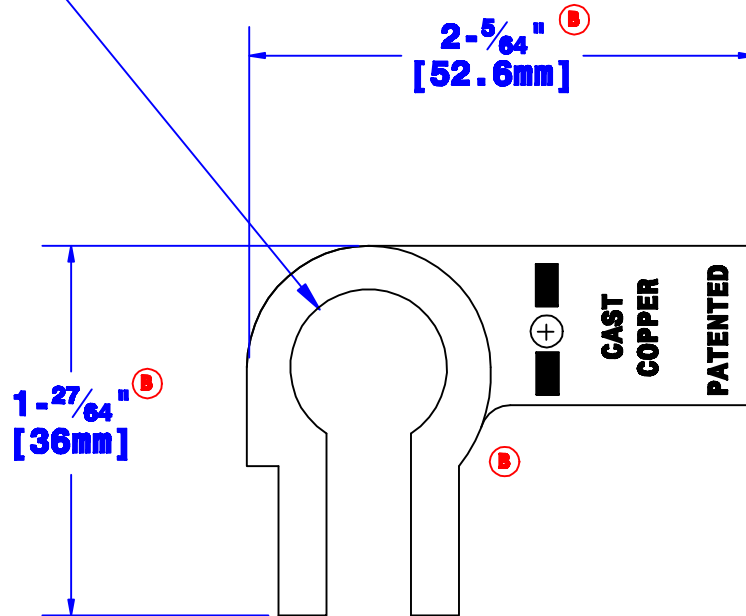


Quick Cable Reserves The Right to Alter Product Types, Their Technical Data, Dimensions, Style And Accessories without Prior Notification.

**Sized For SAE
Pos. Post**



Property of		QUICK CABLE	
3700 Quick Dr. Franksville WI		TITLE Compression L Elbow 1 & 2 Ga [40-32mm ²]	
		PART # 5202P	
Material & Treatment High Conductivity Copper Alloy Matte Tin Plated		Drawing # 5202P-INFO	REV B
		Sheet 1 of 1	

Rev	Date	ECN#	By	Description	Drawn By	Date	Checked By	Scale
B	6-01-10	2099	BS	Updated Design; remove one notch	Jim H	11-20-03	Nike E	None
A	3-5-04	686	Jim H	Added Tol. spec.	Tolerances, unless otherwise noted Dimensions for reference only			