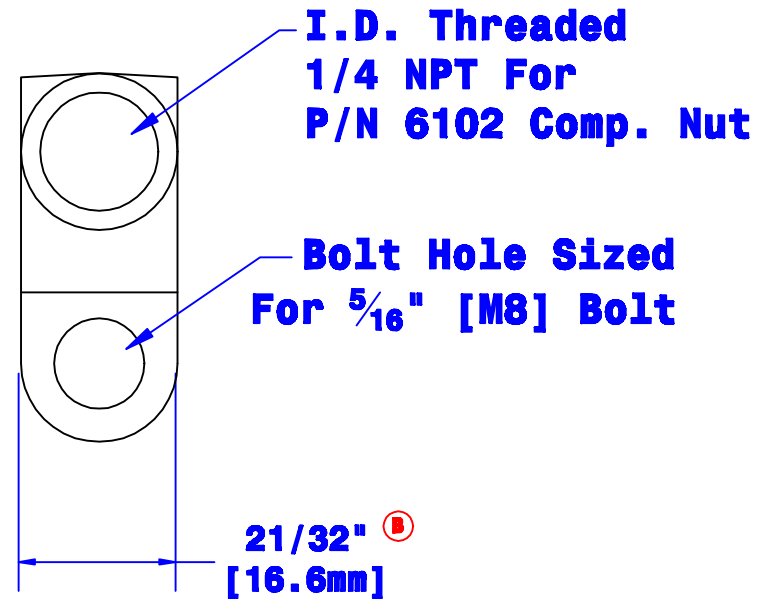
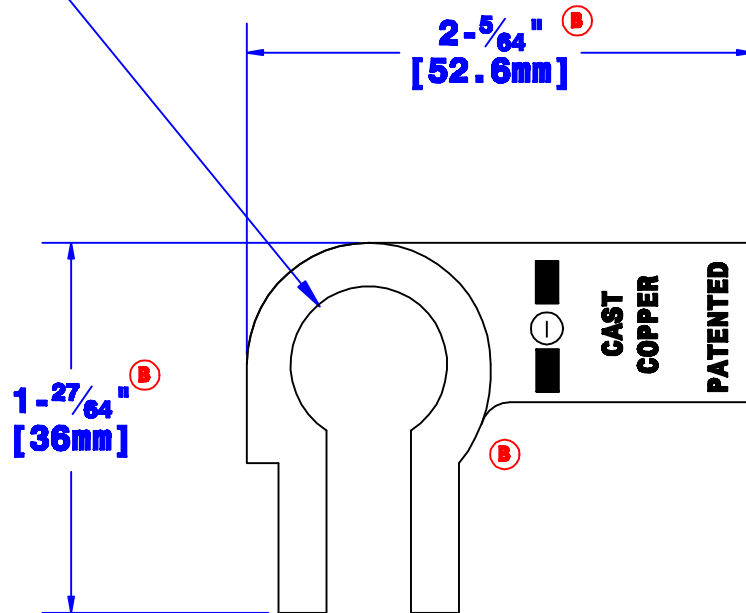


Quick Cable Reserves The Right to Alter Product Type, Their Technical Data, Dimensions, Style And Accessories without Prior Notification.

**Sized For SAE
Neg. Post**



Property of QUICK CABLE 3700 Quick Dr. Franksville WI	TITLE Compression L Elbow 1 & 2 Ga [40-32mm ²]	
	PART # 5202N	
Material & Treatment High Conductivity Copper Alloy Matte Tin Plated	Drawing # 5202N-INFO	REV B
	Sheet 1 of 1	

Rev	Date	ECN#	By	Description	Drawn By	Date	Checked By	Scale
B	6-01-10	2099	BS	Updated Design; remove one notch	Jim H	11-20-03	Mike E	None
A	3-5-04	688	JIM H	Added Tol. spec.	Tolerances, unless otherwise noted Dimensions for reference only			