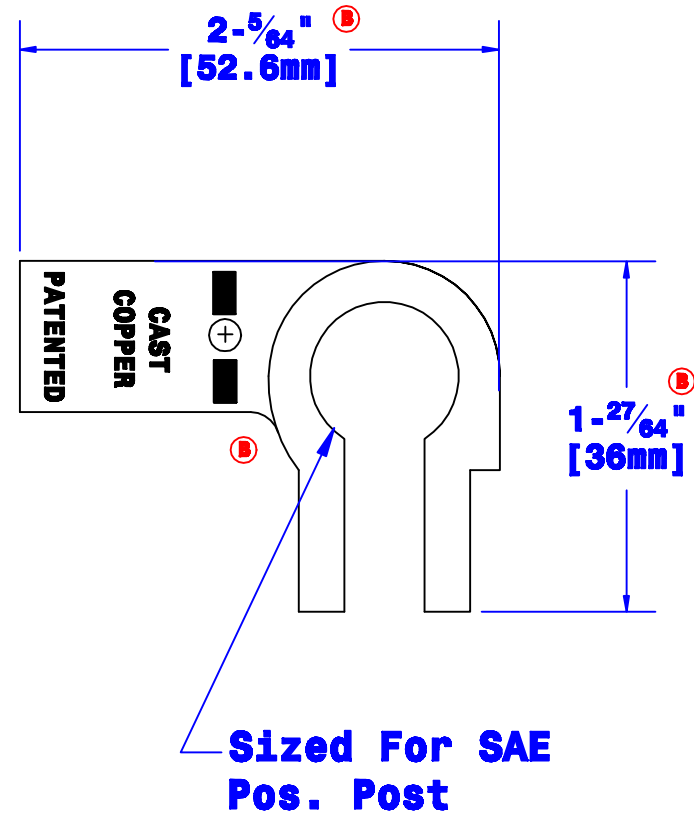
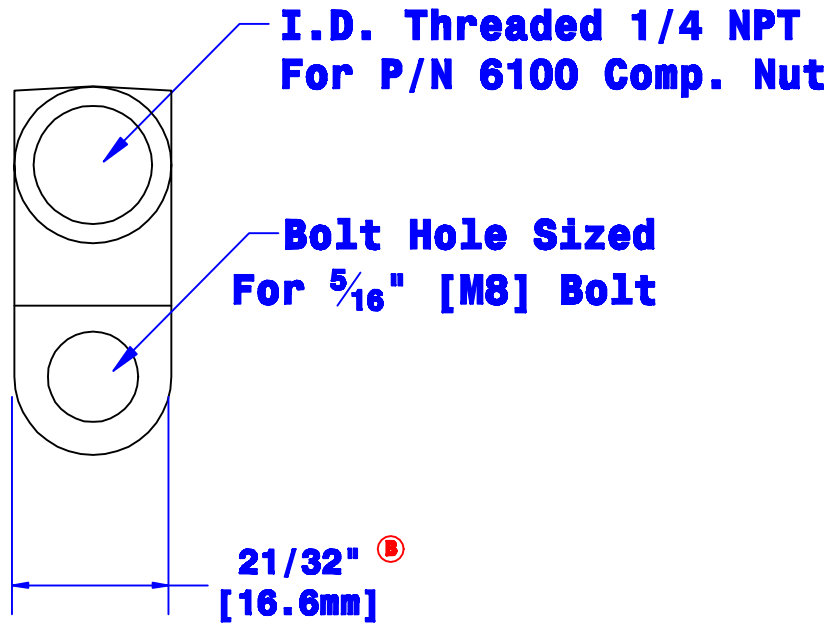


Quick Cable Reserves The Right to Alter Product Types, Their Technical Data, Dimensions, Style And Accessories without Prior Notification.



Property of <b>QUICK CABLE</b>		TITLE Compression R Elbow 4 Ga [19mm <sup>2</sup> ]	
3700 Quick Dr. Franksville WI		PART # <b>5104P</b>	
Material & Treatment High Conductivity Copper Alloy Matte Tin Plated		Drawing # <b>5104P-INFO</b>	REV <b>B</b>
Tolerances, unless otherwise noted Dimensions for reference only		Sheet 1 of 1	

Rev	Date	ECN#	By	Description	Drawn By	Date	Checked By	Scale
<b>B</b>	<b>6-1-10</b>	<b>2099</b>	<b>BS</b>	<b>Updated design; remove one notch</b>	<b>JIM H</b>	<b>11-20-03</b>	<b>MIKE E</b>	<b>None</b>
<b>A</b>	<b>3-5-04</b>	<b>698</b>	<b>JIM H</b>	<b>Added Tol. spec.</b>				